



# STROBE LIGHT Ex “eb” e Ex “tb”

VMB5  
zone 1, 2, 21 and 22



# Technical Data



## STROBE LIGHT SPECIFICATIONS

|                               |       |   |
|-------------------------------|-------|---|
| AREA OF APPLICATION:          | ..... | Zone 1 - Zone 2 - Zone 21 - Zone 22   |
| INGRESS OF PROTECTION:        | ..... | IP66  |
| TEMPERATURE CLASS:            | ..... | T6  |
| TYPE OF PROTECTION:           | ..... | <b>ABNT NBR IEC 60079-31</b> Ex “tb”<br>enclosure protection against dust<br>ingress<br><b>ABNT NBR IEC 60079-7</b> Ex “eb”<br>increased safety |
| MARKING:                      | ..... | Ex eb mb IIC T6 Gb IP66<br>Ex mb tb IIIC T80 °C Db IP66   |
| LIFESPAN AND FLASH FREQUENCY: | ..... | Approx. 100,000 hours<br>60 flashes per minute  |
| POWER:                        | ..... | 3.6 W (24Vcc)<br>10VA ( 130Vca or 220 Vca)  |
| FREQUENCY:                    | ..... | 50Hz / 60Hz   |
| <b>VOLTAGE / CODE:</b>        | ..... | <b>24 Vca/cc</b> / VMB5B2<br><b>130 Vca</b> / VMB5E2<br><b>220 Vca</b> / VMB5F2   |
| CERTIFICATE OF COMPLIANCE:    | ..... | <b>Segurança</b>  |



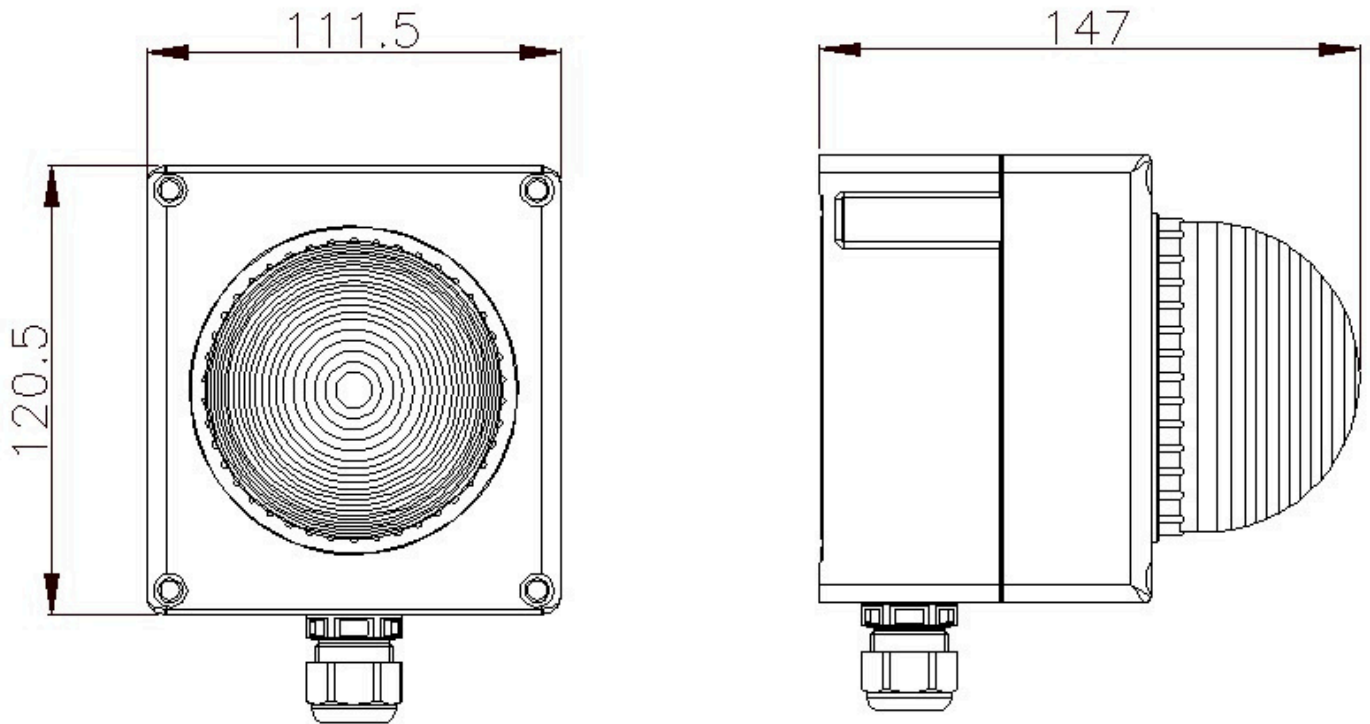
OCP 0034




**INMETRO**

INMETRO  
NCC 24.0140


# Dimensions (mm)



 +55 11 3933-7100

 [www.sermatex.com.br](http://www.sermatex.com.br)

 [www.linkedin.com/in/sermatex](http://www.linkedin.com/in/sermatex)

 Rua Coronel Tristão, 203 - Freguesia do Ó  
São Paulo - SP - CEP 02925-030  
Brasil