

# PLASTIC ENCLOSURE WITH VIEWING WINDOW Ex e

FOR MEASURING INSTRUMENT

## SG-EX VMB5



sermat **GRÜN**  
**ex**

REV.0 / 27.04.2026



p. 1 de 3

# PLASTIC ENCLOSURE WITH VIEWING WINDOW Ex e

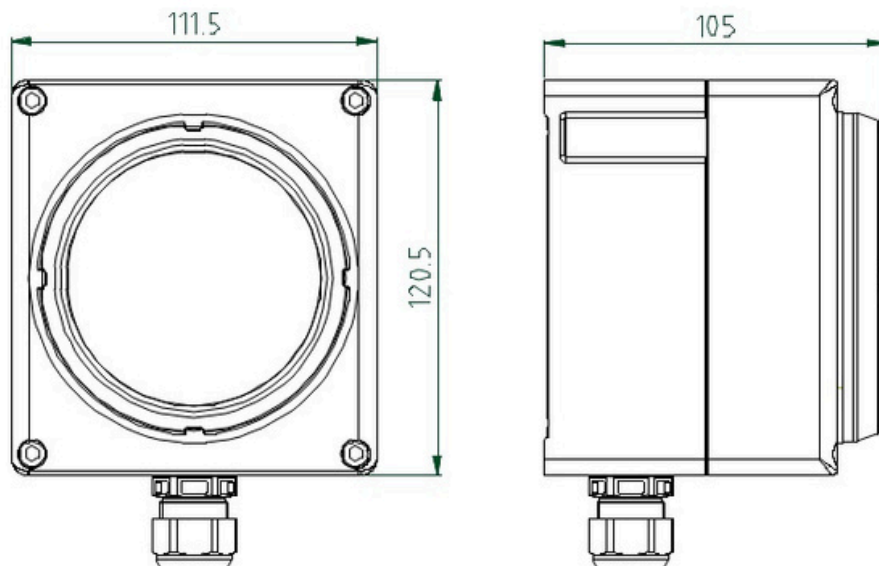
## FOR MEASURING INSTRUMENT

### Technical Data

#### TECHNICAL SPECIFICATION

TYPE OF PROTECTION .....	Ex "e" – increased safety Ex "t" – dust ignition protection
MARKING .....	Ex eb IIC T* Gb IP66 Ex tb IIIC T 64 °C Db IP66
AREA OF APPLICATION .....	Zone 1 Zone 2 Zone 21 Zone 22
INGRESS PROTECTION .....	IP66
TEMPERATURE RANGE .....	T6 (up to 20 A) and T5 (from 20 to 25 A)
AMBIENT TEMPERATURE .....	-40 °C to +50 °C
QUANTITY OF TERMINALS .....	Up to 12 terminals (Ex "e" certified)
MAXIMUM CURRENT .....	25 A
VIEWING WINDOW AREA .....	Ø63 mm
ENTRY/EXIT VIA CABLE CLAMP .....	Up to 3x M20x1.5, up to 2x M25x1.5, or 1x M32x1.5 on the bottom face; 1x M20x1.5, 1x M25x1.5, or 1x M32x1.5 on the top face; 1x M20x1.5, 1x M25x1.5, or 1x M32x1.5 on the left side; Up to 2x M20x1.5, up to 2x M25x1.5, or 1x M32x1.5 on the right side.
CERTIFICATE OF CONFORMITY .....	<p><b>Segurança</b></p>   OCP 0034 INMETRO <b>INMETRO</b> NCC 24.0140

#### DIMENSIONS (MM)



# PLASTIC ENCLOSURE WITH VIEWING WINDOW Ex e OR MEASURING INSTRUMENT

## Technical Data

### HIGHLIGHTS

Made of polyamide with fiberglass and additives

Plastic enclosure Ex "e" with hinge, which facilitates installation and maintenance.

