

PLASTIC ENCLOSURE WITH PHOTOELECTRIC RELAY

SG-EX VMB3



PLASTIC ENCLOSURE WITH PHOTOELECTRIC RELAY

Technical Data

TECHNICAL SPECIFICATION

TYPE OF PROTECTION	Ex "e" – increased safety Ex "t" – dust ignition protection
MARKING	Ex eb IIC T6 Gb IP66 Ex tb IIIC T 64 ° C Db IP66
AREA OF APPLICATION	Zone 1 Zone 2 Zone 21 Zonae22
INGRESS PROTECTION	IP66
TEMPERATURE RANGE	T6 (up to 20 A) and T5 (from 20 to 25 A)
AMBIENT TEMPERATURE	-40° C to +50 ° C
QUANTITY OF TERMINALS	Up to 3 terminals / 4 mm ² (Ex "e" certified)
MAXIMUM CURRENT	6 A
CROSS SECTION (mm ²)	Up to 4
ENTRY/EXIT VIA CABLE CLAMP	Up to 3x M20x1.5, up to 2x M25x1.5, or 1x M32x1.5 on the bottom face; 1x M20x1.5, 1x M25x1.5, or 1x M32x1.5 on the top face; 1x M20x1.5, 1x M25x1.5, or 1x M32x1.5 on the left side; Up to 2x M20x1.5, up to 2x M25x1.5, or 1x M32x1.5 on the right side.

Segurança

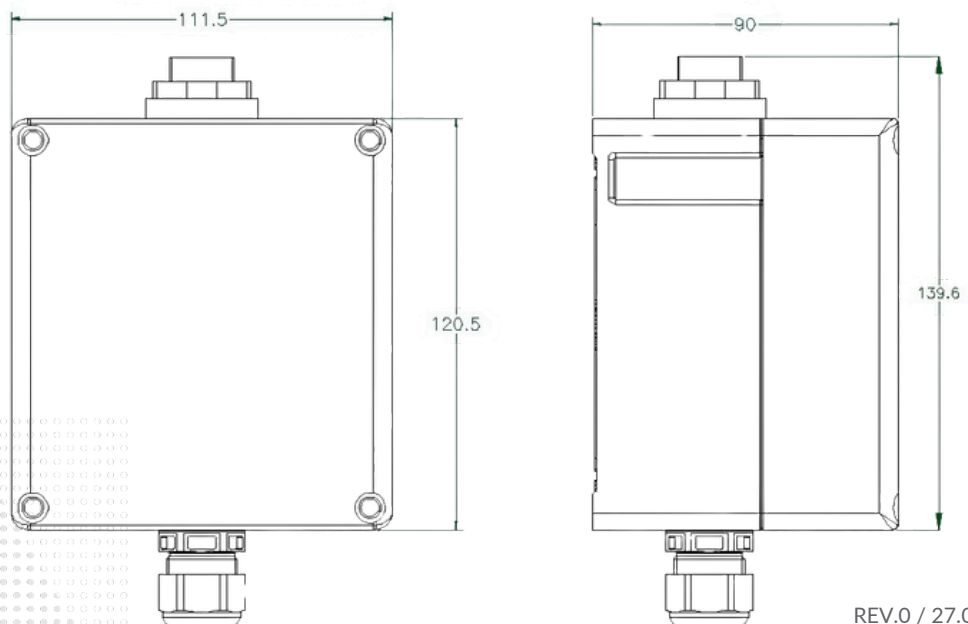


INMETRO

NCC 24.0140

CERTIFICATE OF CONFORMITY

DIMENSÕES (MM)



PLASTIC ENCLOSURE WITH PHOTOELECTRIC RELAY

Technical Data

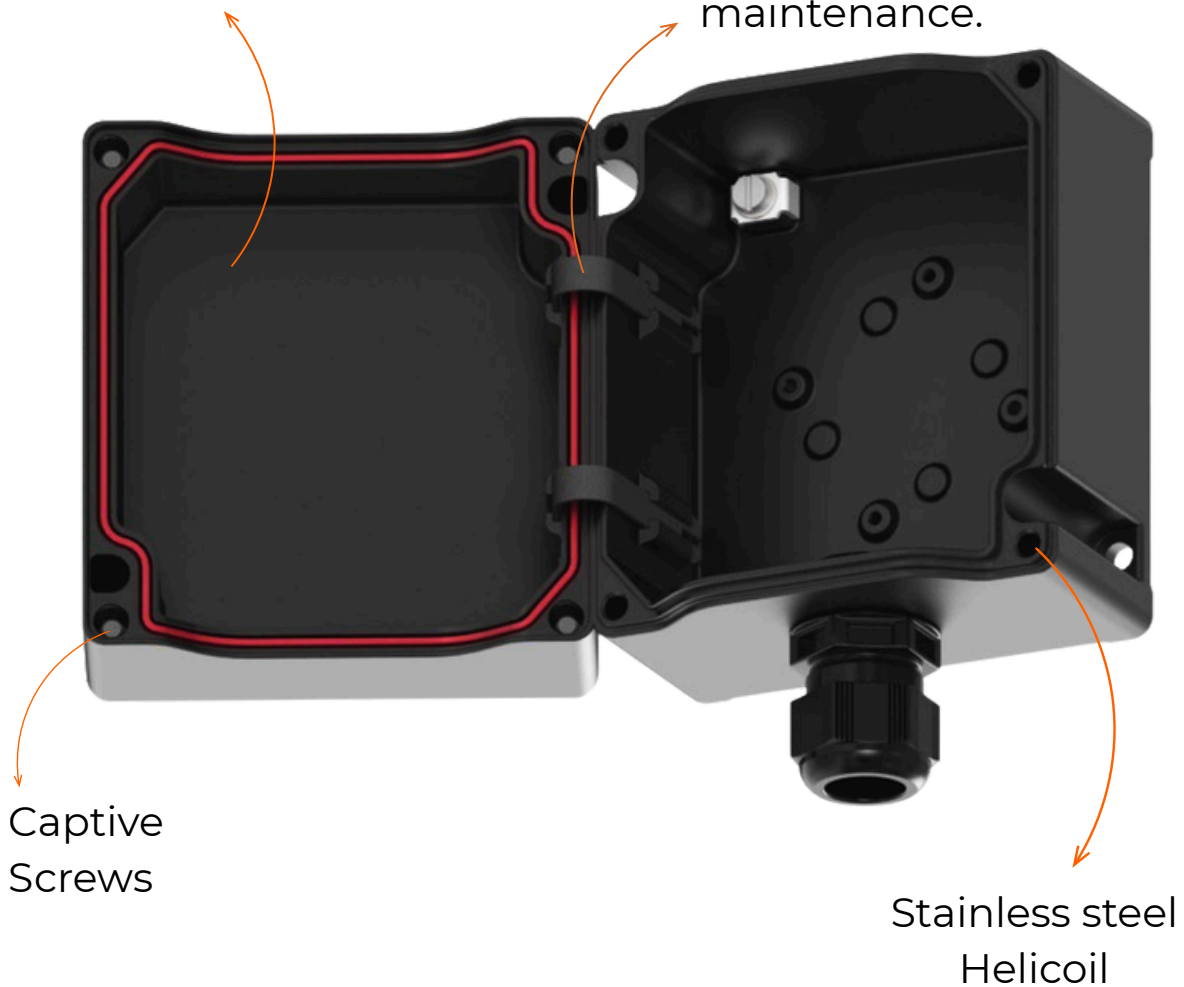


Highlights



Made of polyamide with fiberglass and additives

Plastic enclosure Ex "e" with hinge, which facilitates installation and maintenance.



Captive Screws

Stainless steel Helicoil