

TRAFFIC LIGHT Ex “eb” e Ex “tb”

VMB7
zone 1, 2, 21 and 22



Technical Specifications



TRAFFIC LIGHT SPECIFICATIONS

APPLICATION AREA:	Zone 1 - Zone 2 - Zone 21 - Zone 22
INGRESS PROTECTION:	IP66
CLASS OF TEMPERATURE:	T6
CURRENT:	0.4 A
FREQUENCY:	50 / 60 Hz
TYPE OF PROTECTION	ABNT NBR IEC 60079-31 Ex “tb” enclosure protection against dust ingress ABNT NBR IEC 60079-7 Ex “eb” increased safety
MARKING:	Ex eb mb IIC T6 Gb IP66 Ex mb tb IIIC T80 °C Db IP66
AVAILABLE LIGHT COLORS:	Green, Red, Yellow, Blue, White and Orange.
VOLTAGE:	12 Vca/cc 24 Vca/cc 130 Vca 220 Vca
CERTIFICATE OF CONFORMITY:	Segurança



OCP 0034



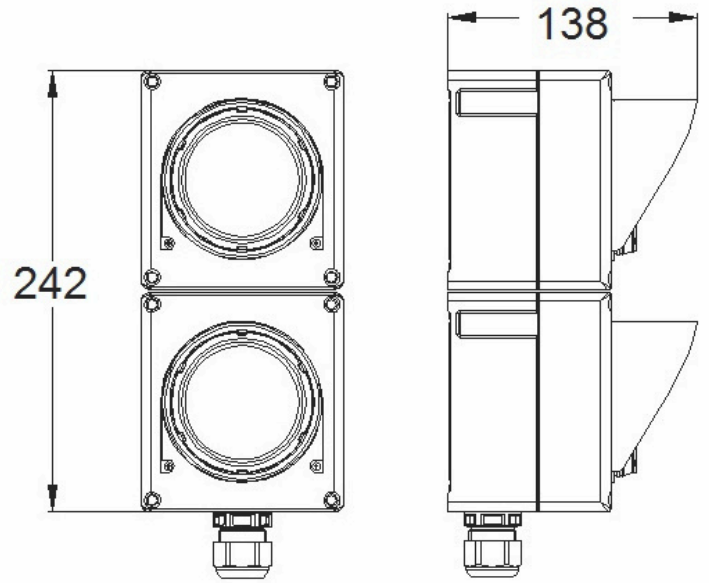
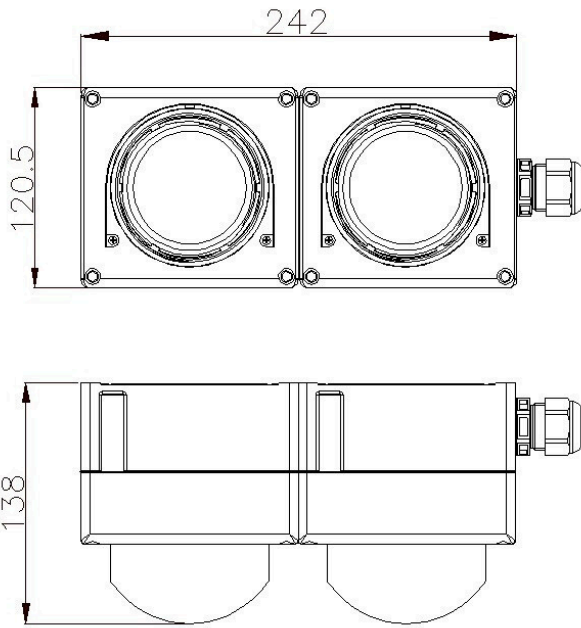
INMETRO

INMETRO
NCC 24.0140

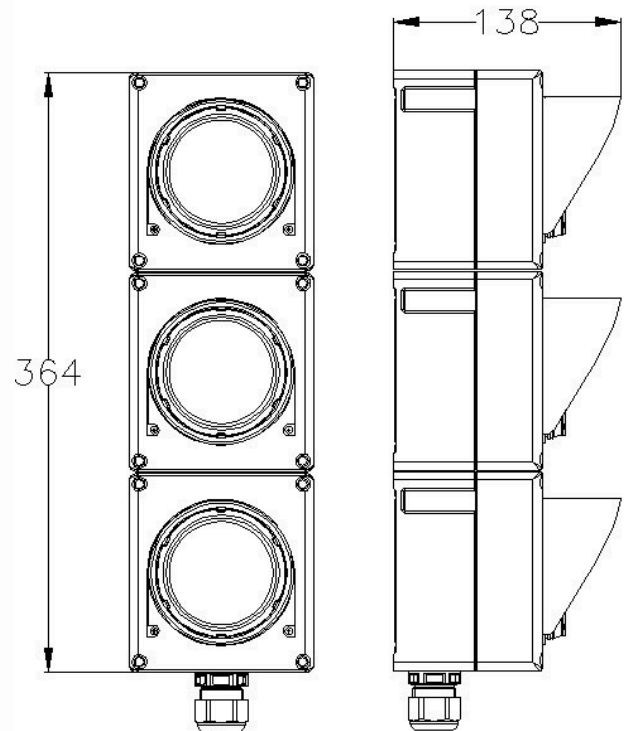
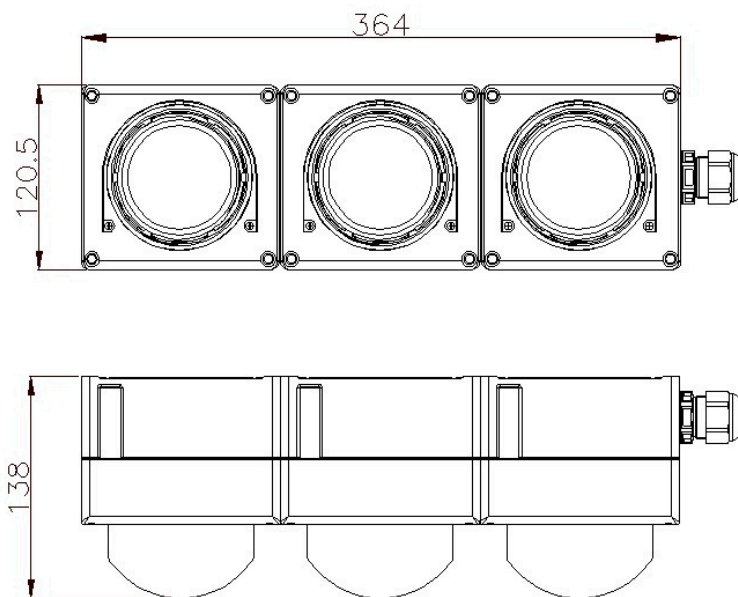
Dimensions (mm)



 2 COLORS



 3 COLORS



Coding System



VMB7 A + B + B + C + D (2 CORES)

A OPERATING VOLTAGE

Voltage	12 Vca/cc	24 Vca/cc	130 Vca	220 Vca
Code	A	B	E	F

B TRAFFIC LIGHT COLORS

Colors	Green	Red	Yellow	Blue	White	Orange
Code	1	2	4	5	6	0

C TRAFFIC LIGHT POSITION

Position	Vertical	Horizontal
Código	V	H

D OPERATING STATUS

Status	Alternate	Common
Código	I	C

VMB7 A + B + B + B + C (3 CORES)

A OPERATING VOLTAGE

Voltage	12 Vca/cc	24 Vca/cc	130 Vca	220 Vca
Code	A	B	E	F


B TRAFFIC LIGHT COLORS

Colors	Green	Red	Yellow	Blue	White	Orange
Code	1	2	4	5	6	0

C TRAFFIC LIGHT POSITION


Position	Vertical	Horizontal
Code	V	H



 +55 11 3933-7100

 www.sermatex.com.br

 www.linkedin.com/in/sermatex

 Rua Coronel Tristão, 203 - Freguesia do Ó
São Paulo - SP - CEP 02925-030
Brasil