



sermat **GRÜN** **ex**

EMERGENCY AUDIOVISUAL SYSTEM EX “EB” E EX “TB”

SAVEVMB
zone 1, 2, 21 and 22



Technical data



AUDIO-VISUAL SYSTEM OF EMERGENCY SPECIFICATIONS

AREA OF APPLICATION:	Zone 1 - Zone 2 - Zone 21 - Zone 22
INGRESS PROTECTION:	IP66
TEMPERATURE CLASS:	T5
CURRENT:	1 A
FREQUENCY:	50 / 60 Hz
TYPE OF PROTECTION:	ABNT NBR IEC 60079-31 Ex “tb” enclosure protection against dust ingress ABNT NBR IEC 60079-7 Ex “eb” increased safety ABNT NBR IEC 60079-1 Ex “db” explosion proof
MARKING:	Ex db eb mb IIC T6 Gb IP66 Ex mb tb IIIC T80 °C Db IP66
USABLE LIFE AND FLASH FREQUENCY:	Approx. 100,000 hours 60 flashes per minute
CONSUMED POWER:	10 W
SOUND INTENSITY AT 1 METER:	108 dB
VOLTAGE / CODE	24 Vca/cc / SAVEVMBB2 130 Vca / SAVEVMBE2 220 Vca / SAVEVMBF2
CERTIFICATE OF COMPLIANCE:	Segurança



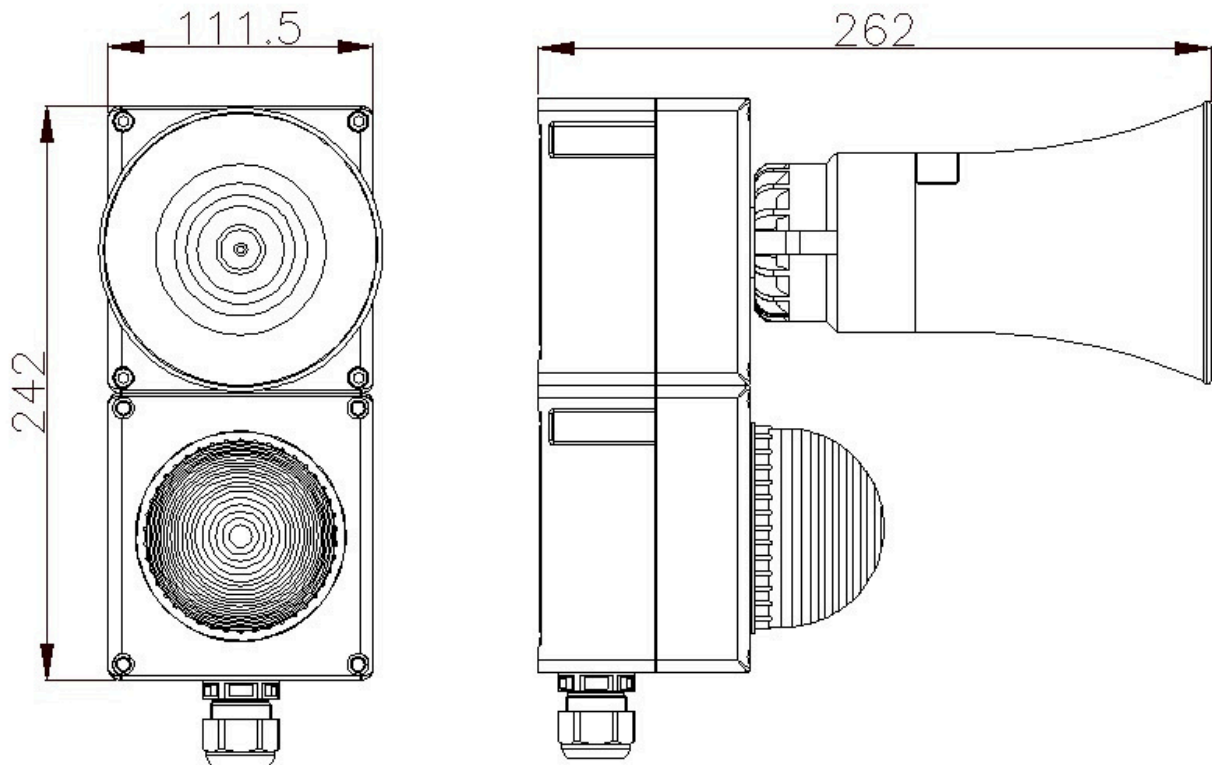
OCP 0034




INMETRO

INMETRO
NCC 24.0140


Dimensions (mm)



 +55 11 3933-7100

 www.sermatex.com.br

 www.linkedin.com/in/sermatex

 Rua Coronel Tristão, 203 - Freguesia do Ó
São Paulo - SP - CEP 02925-030
Brasil