

EMERGENCY AUDIOVISUAL SYSTEM

SAVE



sermat **GRÜN**
ex

REV.04 / 05.02.2026

AUDIO-VISUAL SYST. OF EMERGENCY - SAVE

Technical data

SPECIFICATIONS



SAVEISRR



SAVEIMRR

| | |
|--|-------|
| TYPE OF PROTECTION | _____ |
| MARKING | _____ |
| AREA OF APPLICATION | _____ |
| CONSUMED POWER (XENON LAMP) | _____ |
| USABLE LIFE AND FLASH FREQUENCY (XENON LAMP) | _____ |
| USABLE LIFE AND FLASH FREQUENCY (LED LAMP) | _____ |
| CONSUMED POWER (LED LAMP) | _____ |
| OPERATING VOLTAGE | _____ |
| SOUND INTENSITY AT 1 METER | _____ |
| FREQUENCY | _____ |
| WEIGHT | _____ |
| INGRESS PROTECTION | _____ |
| TEMPERATURE CLASS | _____ |
| CERTIFICATE OF CONFORMITY | _____ |

| | |
|---|---|
| Ex "d" – flameproof Ex "t" – against dust ignition | Ex "d" - flameproof Ex "e" - increased safety Ex "t" - against dust ignition |
| Ex d IIC T6 Gb Ex tb IIIC T 85 C Db | Ex de IIC T6 Gb Ex tb IIIC T 85 C Db |
| Zone 1 Zone 2 Zone 21 Zone 22 | Zone 1 Zone 2 Zone 21 Zone 22 |
| 23 W | 23 W |
| 1,000,000 flashes 60 flashes per minute | 1,000,000 flashes 60 flashes per minute |
| 60,000 hours 60 flashes per minute | 60,000 hours 60 flashes per minute |
| 10 W | 10 W |
| 24 Vcc (Code: SAVEISRRB2) 130 Vca (Code: SAVEISRRE2) 220 Vca (Code: SAVEISRRF2) | 24 Vcc (Code: SAVEIMRRB2) 130 Vca (Code: SAVEIMRRE2) 220 Vca (Code: SAVEIMRRF2) |
| 105 dB | 105 dB |
| 50 / 60 Hz | 50 / 60 Hz |
| 2,5 kg | 3,1 kg |
| IP65 | IP65 |
| T6 | T6 |

Segurança



OCP 0034



INMETRO

INMETRO

NCC 24.0123
NCC 24.0131 X

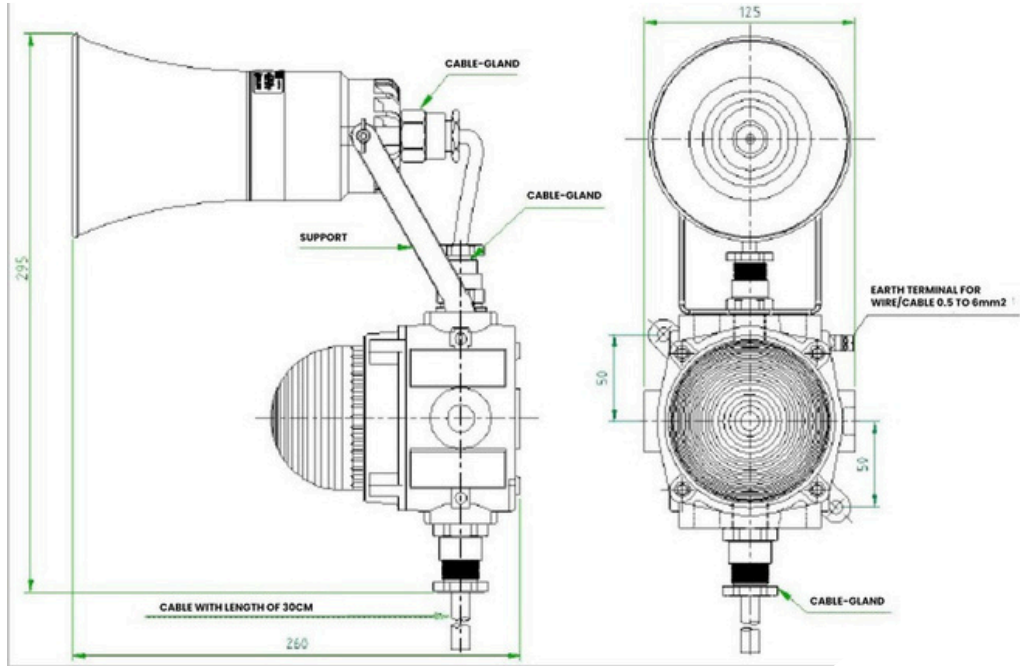
Standard strobe light in red color.
Available in other colors if necessary.

AUDIO-VISUAL SYST. OF EMERGENCY - SAVE

Technical data

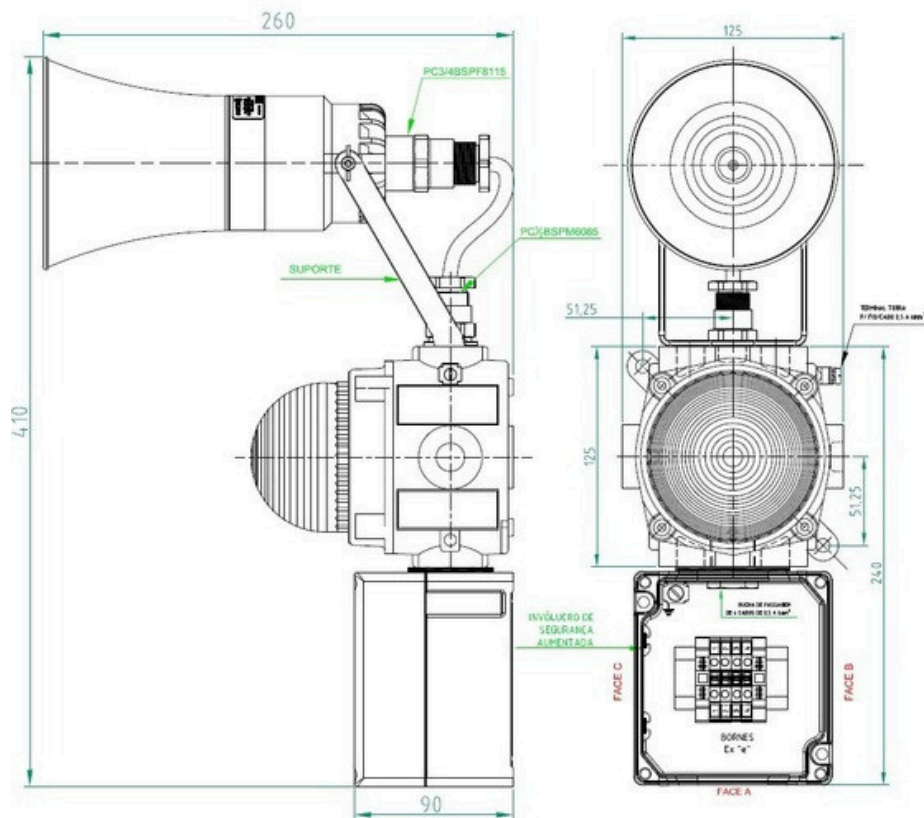
DIMENSIONS

SAVEISRR



DIMENSIONS IN mm

SAVEIMRR



DIMENSIONS IN mm