

SINGLE ENCLOSURE

TOPILOTLIGHTANDCONTROL STATION LINE

ISRR1 & ISRR4



sermat **GRÜN**
ex

REV.19 / 27.04.2026

p. 1 de 4

SINGLE ENCLOSURE TO PILOT LIGHT AND CONTROL STATION LINE

Technical data

SPECIFICATIONS

TYPE OF PROTECTION	Ex "d" – Flameproof Ex "t" – Dust Ignition Protection
MARKING	Ex db IIC T* Gb IP66W Ex tb IIIC T 85 °C Db
AREA OF APPLICATION	Zone 1 Zone 2 Zone 21 Zone 22
INGRESS OF PROTECTION	IP66W (W: Salt Spray)
TEMPERATURE CLASS	T6 I=32A(max)

CERTIFICATE OF CONFORMITY

Segurança



OCP 0034



INMETRO

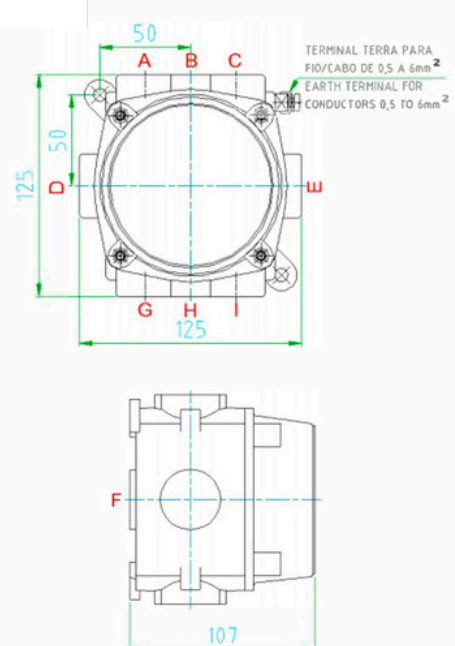
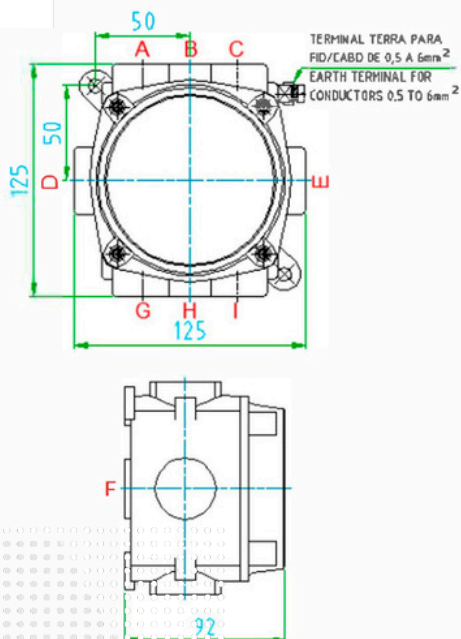
INMETRO

NCC 24.0123

DIMENSIONS(MM)

ISRR1 (LOW COVER)

ISRR4 (HIGH COVER)



SINGLE ENCLOSURE TO PILOT LIGHT AND CONTROL STATION LINE

Technical data

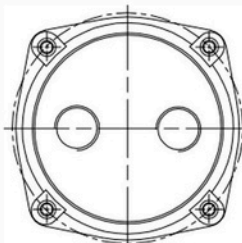
COVER MODELS

ISRR11 / ISRR41



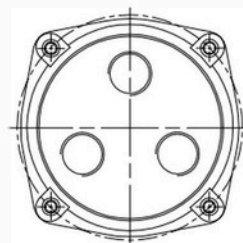
COM 1 FURO
WITH 1 HOLE

ISRR12 / ISRR42



COM 2 FUROS
WITH 2 HOLES

ISRR14 / ISRR44



COM 3 FUROS
WITH 3 HOLES

PILOT LIGHT AND CONTROL STATION LINE (SGEX22) FOR USING WITH COVER MODELS



GBI



GBIG



GBETR



GBEMO



GBEG



GSI



GBL



GBY



GBEY



GCCG



GCA



GCAG



GBPMV



GBPCO

COMMAND AND SIGNALING LINE SPECIFICATIONS

TYPE OF PROTECTION	Ex "d" – Flameproof Ex "t" – Dust ignition protection	Explosion proof Dust ignition proof	Ex "d" – Flameproof Ex "t" – Dust ignition protection
MARKING	Ex db IIC Gb Ex tb IIIC Db	Class I, Groups B, C, D Class II, Groups E, F, G Class III	II 2 G Ex db IIC / IIB +H2Gb II 2 D Ex tb IIIC Db
AREA OF APPLICATION	Zone 1 Zone 2 Zone 21 Zone 22	Class I, Div 1 & 2, Groups B, C, D. Class II, Div 1 & 2, Groups E, F, G. Class III	Zone 1 Zone 2 Zone 21 Zone 22
INGRESS PROTECTION	IP66W (W: salt spray)	Type 4X	IP66
TEMPERATURE RANGE	-50°C to 60°C (-40°F to 158°F)	-50°C to 60°C (-40°F to 158°F)	-50°C to 100°C (-40°F to 212°F)
THREAD SIZE	M22 x 1,5 3/4" NPSM	M22 x 1,5 3/4" NPSM	M22 x 1,5 3/4" NPSM

SINGLE ENCLOSURE TO PILOT LIGHT AND CONTROL STATION LINE

Technical data

OPTIONAL THREADED HOLES

OPTIONAL THREADED HOLES FOR CABLE INLETS / OUTLETS (MAXIMUM ONE HOLE PER FACE)

THREADS	FACE A/G	FACE B/H	FACE C/I	FACE D	FACE E	FACE F
NPT						
1"	-----	X	-----	-----	-----	-----
3/4"	X	X	X	X	X	X
1/2"	X	X	X	X	X	X
METRIC						
M20x1,5	X	X	X	X	X	X
M22x1,5	X	X	X	X	X	X
M25x1,5	X	X	X	X	X	X
M32x1,5	-----	X	-----	-----	-----	-----

