

SINGLE ENCLOSURE FOR MEASUREMENT INSTRUMENTS

ISRR6



sermatex **GRÜN**
ex

REV.18 / 28.02.2025

p. 1 de 3

SINGLE ENCLOSURE FOR MEASUREMENT INSTRUMENTS

Technical data

SPECIFICATIONS

TYPE OF PROTECTION

Ex "d" – Flameproof
Ex "t" – Dust Ignition Protection

MARKING

Ex d IIC T6 Gb IP66W
Ex tb IIIC T 85°C Db

AREA OF APPLICATION

Zone 1
Zone 2
Zone 21
Zone 22

INGRESS OF PROTECTION

IP66W (W: Salt Spray)

TEMPERATURE CLASS

T6 I=32A(max)

CERTIFICATE OF CONFORMITY

Segurança



OCP 0034



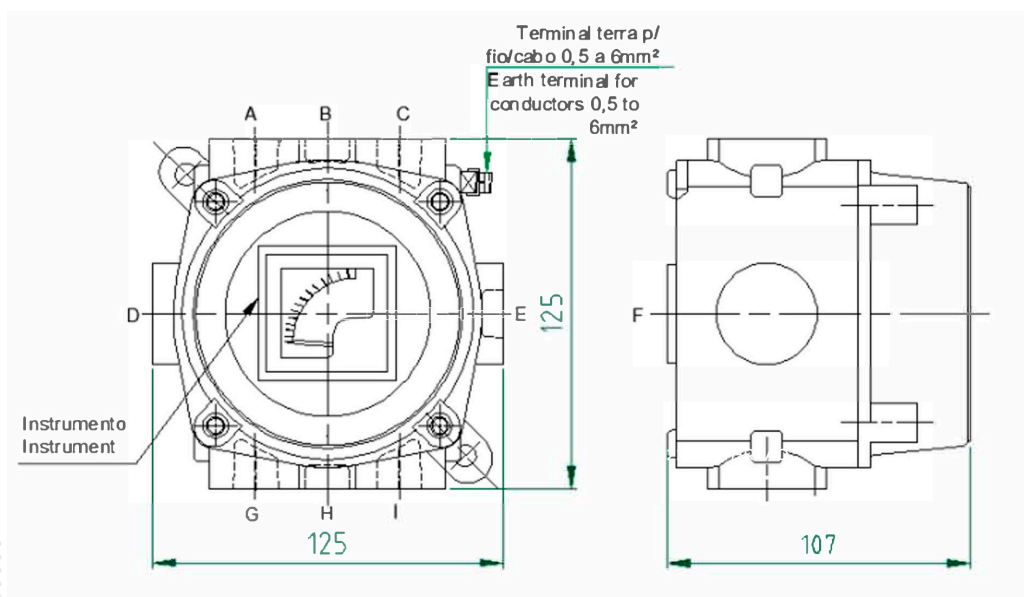
INMETRO

INMETRO

NCC 24.0123

DIMENSIONS (MM)

ISRR6



SINGLE ENCLOSURE FOR MEASUREMENT INSTRUMENTS

Technical data

MEASUREMENT INSTRUMENTS

	FREQUENCY METERS	MOVING COILS - INSTRUMENT VOLTMETERS & AMMETERS	MOVING IRON - INSTRUMENT VOLTMETERS & AMMETERS
SIZE	48.0 x 48.0 mm	48.0 x 48.0 mm	48.0 x 48.0 mm
OPERATING POSITION	VERTICAL	VERTICAL	VERTICAL
FEATURES	<ul style="list-style-type: none"> - INTERNAL ELECTRONIC CIRCUIT - EXCHANGEABLE DIAL - POWER SUPPLY FROM MEASURING CIRCUIT 	<ul style="list-style-type: none"> - FOR MEASUREMENT OF DC CURRENTS AND VOLTAGES. - EXCHANGEABLE DIAL. - RESISTENCE TO MECHANICAL VIBRATIONS 	<ul style="list-style-type: none"> - FOR VOLTAGES MEASUREMENT OF AC CURRENTS AND VOLTAGES
DESCRIPTION	<p>POINTER FREQUENCY METERS ARE DESIGNED FOR MEASUREMENT OF MAINS VOLTAGE FREQUENCY WITH THE RANGE OF 45 TO 65 HZ.</p>	<p>THESE INSTRUMENTS ARE USED WHERE DC CURRENT AND VOLTAGE MEASURING INSTRUMENT IS REQUIRED. THIS IS ESPECIALLY SUITABLE FOR INSTRUMENTS THAT ARE CONNECTED TO A TRANSDUCERS WITH STANDARD TYPE CURRENT OUTPUT OR TO SEPARATE SHUNTS WITH RATED VOLTAGE DROP (E.G. 60MV).</p>	<p>MOVING IRON INSTRUMENTS ARE USED TO MEASURE R.M.S. VALUES OF A.C. CURRENTS IN THE FREQUENCY RANGE OF 15 TO 100 HZ. THE SPECIAL CASE DESIGN ALLOWS QUICK SCALE EXCHANGE FOR EITHER NEW OR OLD MODEL. THIS SPECIALLY SUITABLE FOR INSTRUMENTS WHICH ARE CONNECTED TO CURRENT OR VOLTAGE TRANSFORMES (X/1A, X/5A, X/100, 110V)</p>

OPTIONAL THREADED HOLES

OPTIONAL THREADED HOLES FOR CABLE INLETS / OUTLETS (MAXIMUM ONE HOLE PER FACE)			
THREADS	FACE A	FACE B	FACE C
NPT			
1"	X	X	X
3/4"	X	X	X
1/2"	X	X	X
METRIC			
M20x1,5	X	X	X
M22x1,5	X	X	X
M25x1,5	X	X	X
M32x1,5	X	X	X

