

# SINGLE ENCLOSURE FOR FIRE ALARM

ISRR21 & ISRR71



sermatex

REV.20 / 28.02.2025

p. 1 de 3

# SINGLE ENCLOSURE TO FIRE ALARM

## Technical data

### SPECIFICATIONS

TYPE OF PROTECTION .....

Ex "d" – Flameproof  
Ex "t" – Dust ignition protection

MARKING .....

Ex db IIC T\* Gb IP66W  
Ex tb IIIC T 85 °C Db

AREA OF APPLICATION .....

Zone 1  
Zone 2  
Zone 21  
Zone 22

INGRESS PROTECTION .....

IP66W (W: salt spray)

TEMPERATURE CLASS .....

T6 I=32A (max)

CERTIFICATE OF CONFORMITY .....

### Segurança



OCP 0034



INMETRO

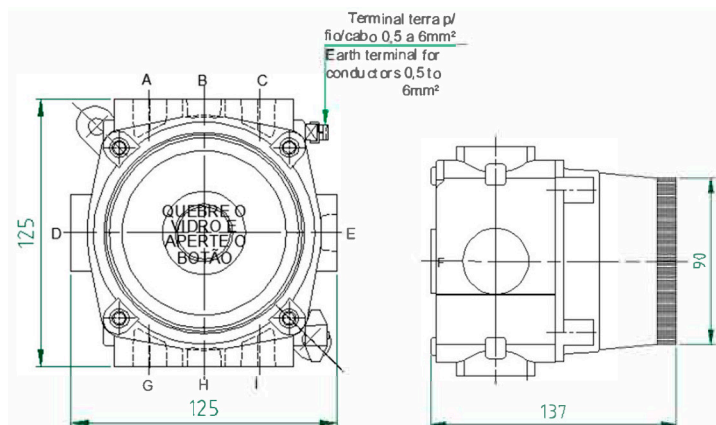
INMETRO

NCC 24.0123

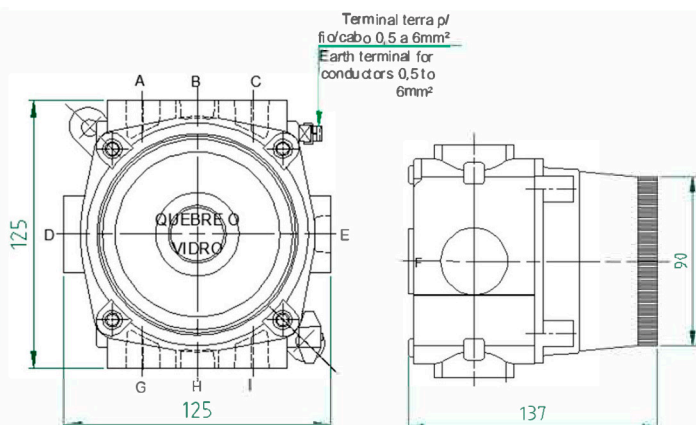
### DIMENSIONS(MM)

#### ISRR21 & ISRR71

ISRR21



ISRR71



# SINGLE ENCLOSURE TO FIRE ALARM

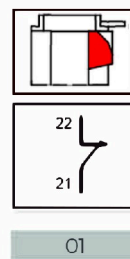
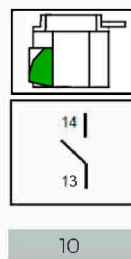
## Technical data

### FEATURES

#### MUSHROOM HEAD THAT CAN BE USED



#### CONTACT BLOCKS THAT CAN BE USED



**NOTE:**

**MANUAL ACTUATION :** BREAK THE GLASS AND PUSH THE BUTTON MANUALLY. GBETR AND GBEMO CAN BE USED.  
**AUTOMATIC ACTUATION:** WHEN THE GLASS IS BROKEN THE CONTACT IS AUTOMATICALLY ACTUATED . GBEMO MUST BE USED.

### OPTIONAL THREADED HOLES

#### OPTIONAL THREADED HOLES FOR CABLE INLETS / OUTLETS (maximum one hole per face)

THREADS	FACE A/G	FACE B/H	FACE C/I	FACE D	FACE E	FACE F
<b>NPT</b>						
1"	-----	X	-----	-----	-----	-----
3/4"	X	X	X	X	X	X
1/2"	X	X	X	X	X	X
<b>METRIC</b>						
M20x1,5	X	X	X	X	X	X
M22x1,5	X	X	X	X	X	X
M25x1,5	X	X	X	X	X	X
M32x1,5	-----	X	-----	-----	-----	-----

