

SINGLE ENCLOSURE

FOR STROBE LIGHT

ISRRSTB



sermat **GRÜN**
ex

REV.17 / 27.04.2026

p. 1 de 3

SINGLE ENCLOSURE FOR STROBE LIGHT

Technical data

SPECIFICATIONS

TYPE OF PROTECTION

Ex "d" – Flameproof
Ex "t" – Dust Ignition Protection

MARKING

Ex d IIC T6 Gb IP66W
Ex tb IIIC T 85 °C Db

AREA OF APPLICATION

Zone 1
Zone 2
Zone 21
Zone 22

INGRESS OF PROTECTION

IP66W (W: Salt Spray)

TEMPERATURE CLASS

T6

CERTIFICATE OF CONFORMITY

Segurança



OCP 0034



INMETRO

INMETRO

NCC 24.0123

ELECTRICAL SPECIFICATIONS

RATED VOLTAGE

24Vdc
110Vca
220Vca

POWER

~ 13W (24Vdc)
~ 10VA (130Vca_o ou 220 Vca)

CURRENT

600mA (24Vdc)
30mA (130Vca ou 220Vca)

FREQUENCY

50Hz
60Hz

LIFESPAN AND FLASH FREQUENCY

Approx. 100,000 hours
~60/min

WEIGHT

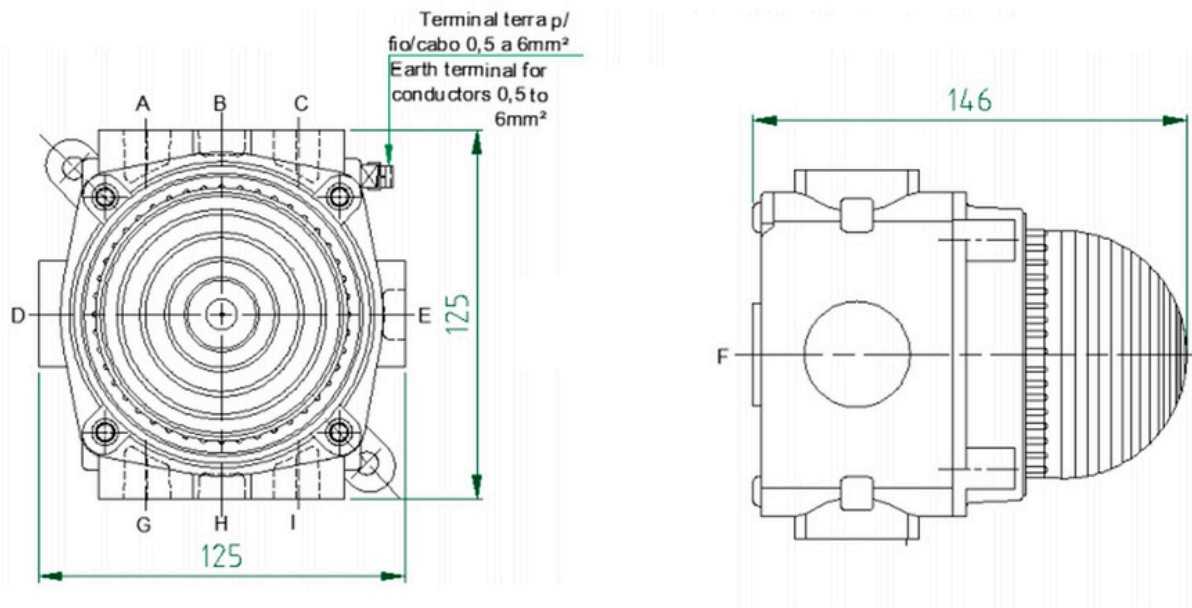
1,5Kg

SINGLE ENCLOSURE FOR STROBE LIGHT

Technical data

DIMENSIONS(MM)

ISRRSTB



SOLUTIONS

ISRRSTB+ ELECTRONIC SOUNDER

IMRRSTB + ELECTRONIC SOUNDER

