

MODULAR ENCLOSURE

FOR MEASUREMENT INSTRUMENTS

IMRR6



sermat **GRÜN**
ex

REV.16 / 28.02.2025

p. 1 de 3

MODULAR ENCLOSURE FOR MEASUREMENT INSTRUMENT

Technical data

SPECIFICATIONS

TYPE OF PROTECTION	Ex "d" - Flameproof Ex 'e' - Increased Safety Ex "t" - Dust Ignition Protection
MARKING	Ex db IIC T* Gb IP66W Ex tb IIIC T 85°C Db
AREA OF APPLICATION	Zone 1 Zone 2 Zone 21 Zone 22
INGRESS PROTECTION	IP66W (W: salt spray)
TEMPERATURE CLASS	T6

CERTIFICATE OF CONFORMITY

Segurança



OCP 0034



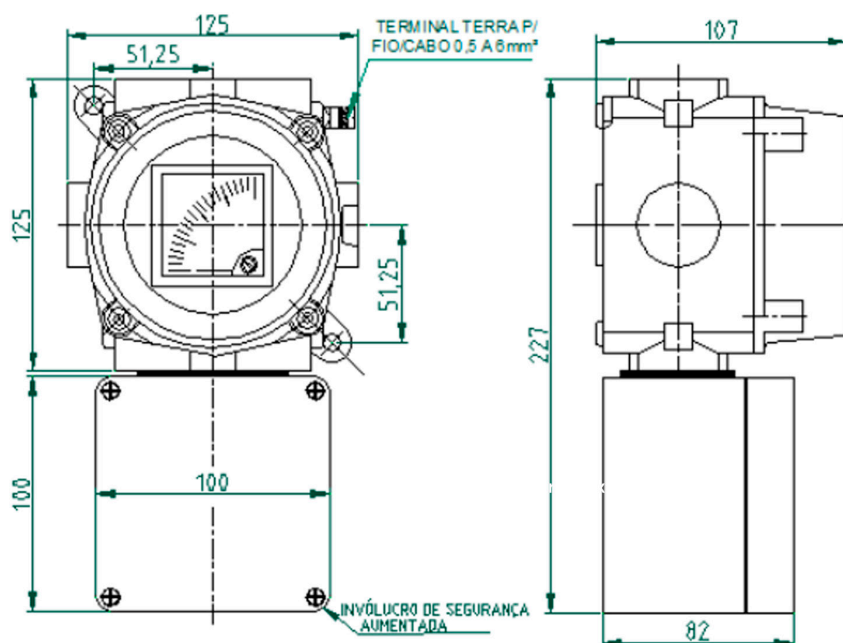
INMETRO

INMETRO

NCC 24.0123

DIMENSIONS (MM)

IMRR6



MODULAR ENCLOSURE FOR MEASUREMENT INSTRUMENT

Technical data

MEASUREMENT INSTRUMENTS

	FREQUENCY METERS	MOVING COILS - INSTRUMENT VOLTMETERS & AMMETERS	MOVING COILS - INSTRUMENT VOLTMETERS & AMMETERS
SIZE	48.0 x 48.0 mm	48.0 x 48.0 mm	48.0 x 48.0 mm
OPERATING POSITION	VERTICAL	VERTICAL	VERTICAL
FEATURES	- INTERNAL ELECTRONIC CIRCUIT - EXCHANGEABLE DIAL - POWER SUPPLY FROM MEASURING CIRCUIT	- FOR MEASUREMENT OF DC CURRENTS AND VOLTAGES. - EXCHANGEABLE DIAL. - RESISTENCE TO MECHANICAL VIBRATIONS	- FOR VOLTAGES MEASUREMENT OF AC CURRENTS AND VOLTAGES
DESCRIPTION	POINTER FREQUENCY METERS ARE DESIGNED FOR MEASUREMENT OF MAINS VOLTAGE FREQUENCY WITH THE RANGE OF 45 TO 65 HZ.	THESE INSTRUMENTS ARE USED WHERE DC CURRENT AND VOLTAGE MEASURING INSTRUMENT IS REQUIRED. THIS IS ESPECIALLY SUITABLE FOR INSTRUMENTS THAT ARE CONNECTED TO A TRANSDUCERS WITH STANDARD TYPE CURRENT OUTPUT OR TO SEPARATE SHUNTS WITH RATED VOLTAGE DROP (E.G. 60MV).	MOVING IRON INSTRUMENTS ARE USED TO MEASURE R.M.S. VALUES OF A.C. CURRENTS IN THE FREQUENCY RANGE OF 15 TO 100 HZ. THE SPECIAL CASE DESIGN ALLOWS QUICK SCALE EXCHANGE FOR EITHER NEW OR OLD MODEL. THIS IS ESPECIALLY SUITABLE FOR INSTRUMENTS WHICH ARE CONNECTED TO CURRENT OR VOLTAGE

TYPES OF THREADED HOLES

OPTIONAL THREADED HOLES FOR CABLE INLETS / OUTLETS (MAXIMUM ONE HOLE PER FACE)			
THREADS	FACE A	FACE B	FACE C
BSP			
1"	X	X	X
3/4"	X	X	X
1/2"	X	X	X
METRIC			
M20x1,5	X	X	X
M22x1,5	X	X	X
M25x1,5	X	X	X
M32x1,5	X	X	X

