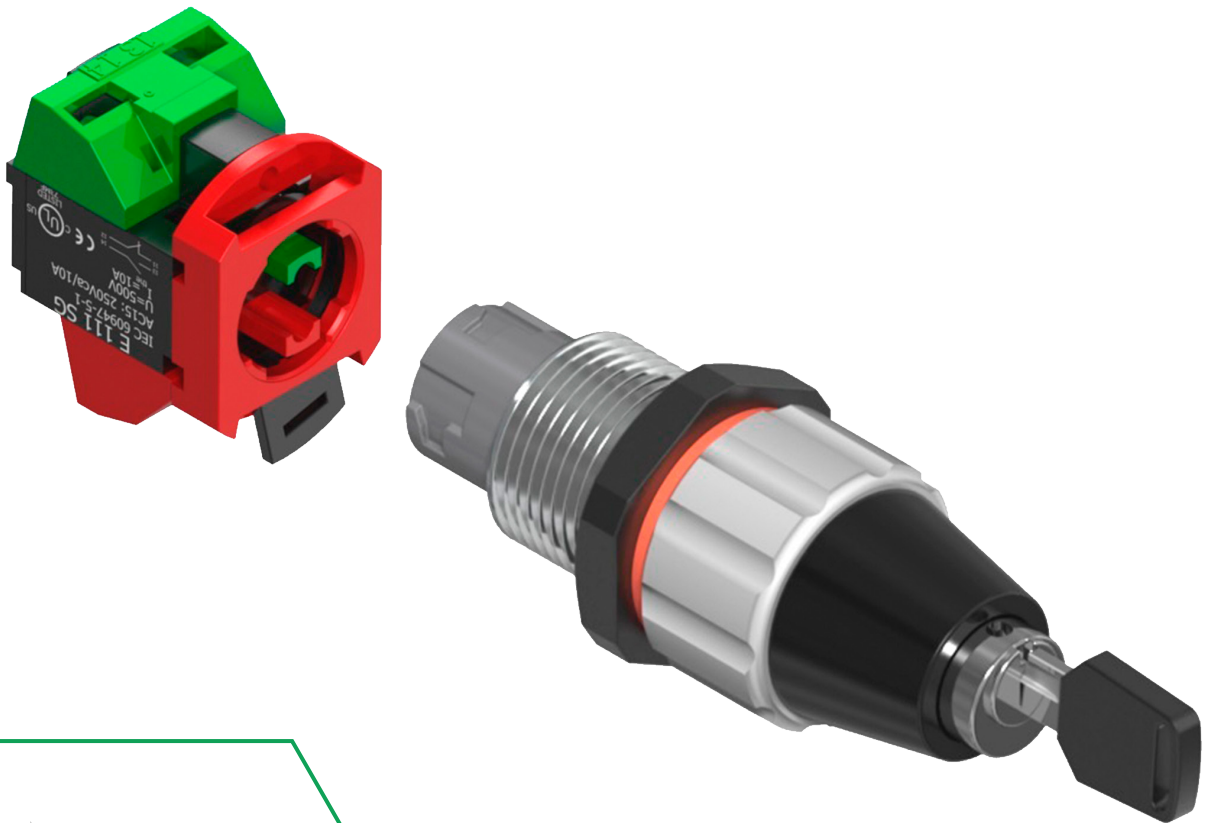


# PUSH-BUTTON WITH KEY GBY








sermat **GRÜN**  
**ex**

REV.22 / 06.03.2025

# PUSH-BUTTON WITH KEY

## Technical Data

### TECHNICAL SPECIFICATION

TYPE OF PROTECTION	Ex "d" – Flameproof Ex "t" – Dust ignition protection	Explosion proof Dust ignition proof	Ex "d" – Flameproof Ex "t" – Dust ignition protection
MARKING	Ex db IIC Gb Ex tb IIIC Db	Class I, Groups B, C, D Class II, Groups E, F, G Class III	II 2 G Ex db IIC / IIB +H <sub>2</sub> Gb II 2 D Ex tb IIIC Db
AREA OF APPLICATION	Zone 1 Zone 2 Zone 21 Zone 22	Class I, Div 1 & 2, Groups B, C, D. Class II, Div 1 & 2, Groups E, F, G. Class III	Zone 1 Zone 2 Zone 21 Zone 22
INGRESS PROTECTION	IP66W (W: salt spray)	Type 4X	IP66
TEMPERATURE RANGE	-50°C to 60°C (-40°F to 158°F)	-50°C to 60°C (-40°F to 158°F)	-50°C to 100°C (-40°F to 212°F)
THREAD SIZE	M22 x 1,5 3/4" NPSM	M22 x 1,5 3/4" NPSM	M22 x 1,5 3/4" NPSM
THREAD LENGTH	25mm (Normal) 40mm (Long) 57mm (Extra Long)	25mm (Normal) 40mm (Long) 57mm (Extra Long)	25mm (Normal) 40mm (Long) 57mm (Extra Long)
INSTALLATION	<b>for M22x1,5 THREAD</b> in Ex "d" enclosures : (min. wall thickness : 8 mm engaged thread) in Ex "tb" enclosures : (min. wall thickness : 3 mm engaged thread)	<b>for M22x1,5 THREAD</b> in Ex "d" enclosures : (min. 6 fully engaged threads) in Ex "tb" enclosures : (min. 3 fully engaged threads)	<b>for M22x1,5 THREAD</b> in Ex "d" enclosures : (min. wall thickness : 8 mm engaged thread) in Ex "tb" enclosures : (min. wall thickness : 3 mm engaged thread)
	<b>for 3/4"NPSM THREAD</b> in Ex "d" enclosures : (min. 5 fully engaged threads) in Ex "tb" enclosures : (min. wall thickness : 3,7 mm engaged thread)	<b>for 3/4"NPSM THREAD</b> in Ex "d" enclosures : (min. 7 fully engaged threads) in Ex "tb" enclosures : (min. 3 fully engaged threads)	<b>for 3/4"NPSM THREAD</b> in Ex "d" enclosures : (min. 5 fully engaged threads) in Ex "tb" enclosures : (min. wall thickness : 3,7 mm engaged thread)
CERTIFICATE OF COMPLIANCE	<b>Segurança</b>  OCP 0034  <b>INMETRO</b>	 <b>UL LISTED</b>	  <b>IECEx</b>
	<b>INMETRO</b> NCC 24.0128 U	<b>UL</b> UL: E489210	<b>ATEX I IECEx</b> UL 21 ATEX 2390U IECEx ULBR 21.0004U

# PUSH-BUTTON WITH KEY

## Technical Data

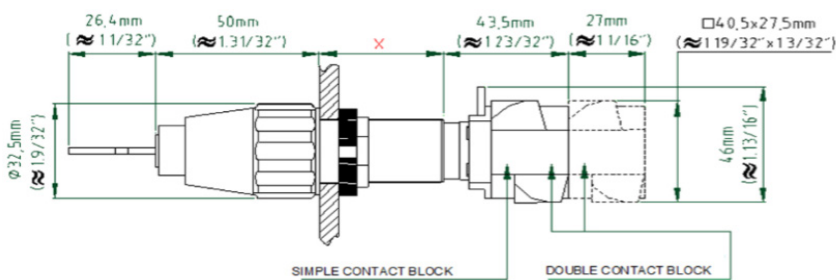
### ELECTRICAL INFORMATION

CONTACT BLOCKS INFORMATION		
RATED VOLTAGE	Ui 500V	
RATED CURRENT	Ith 10A	
CONTACTS FOR AC 15	VOLTAGE	CURRENT
	220V	10A
	380V	7,5A
CONTACTS FOR DC 13	VOLTAGE	CURRENT
	24V	2,75A
	60V	1,10A
	110V	0,55A
	220V	0,27A

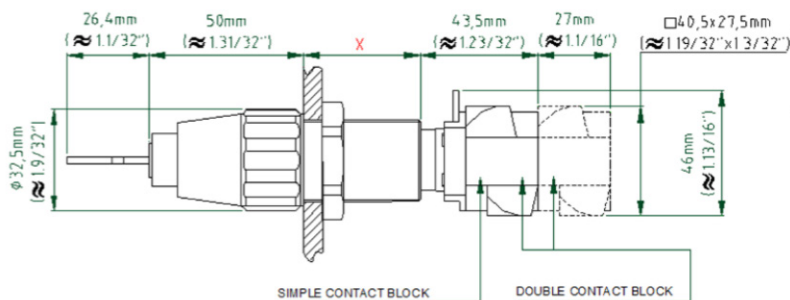
### DIMENSIONS

X	
mm	inch
25mm	≈ 1"
40mm	≈ 1.19/32"
57mm	≈ 2.1/4"

#### M22 X 1,5



#### 3/4" NPSM



# PUSH-BUTTON WITH KEY

## Ordering Code & Codification Exemples

### ORDERING CODE

SGEXXGBY A + B

**X**

#### THREAD SIZE

size	M22x1,5	3/4"NPSM
code	22	26

**A**

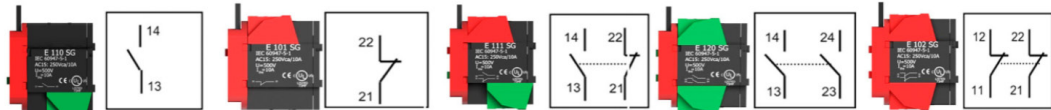
#### THREAD LENGTH

length	25mm	40mm	57mm
code	N	L	X



**B**

#### CONTACT BLOCKS



	<b>NO</b>	<b>NC</b>	<b>NONC</b>	<b>2NO</b>	<b>2NC</b>
code	10	01	11	20	02

#### SPECIAL CONTACT BLOCK

#### DOUBLE CONTACT BLOCKS



	<b>1NO3NC</b>	<b>4NC</b>	<b>2NO1NC</b>	<b>1NO2NC</b>	<b>4NO</b>	<b>3NO1NC</b>	<b>2NO2NC</b>
code	13	04	21	12	40	31	22

### CODIFICATION EXEMPLES

	+	3/4NPSM LENGTH 25MM	+		=	SGEX26GBYN01
SGEX26GBY		N		01		

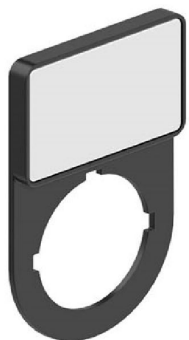
	+	M22X1,5 LENGTH 25MM	+		=	SGEX22GBYN10
SGEX22GBY		N		10		

# PUSH-BUTTON WITH KEY

## Accessories

### ACCESSORIES

#### IDENTIFICATION PLATE (only for M22x1,5 thread)

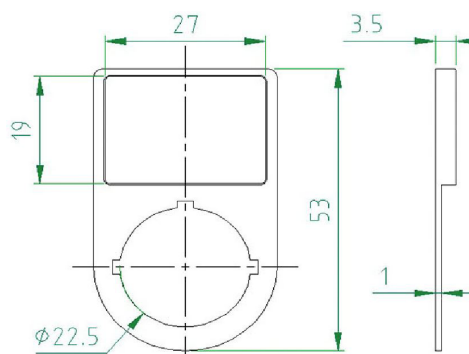


CODE	S2PL1	
------	-------	--

PRINTABLE AREA	19x27 mm
----------------	----------

G00	LIGA	G05	STOP
G01	DESLIGA	G06	RESET
G02	ABRE	G07	OPEN
G03	FECHA	G08	CLOSE
G04	START	G09	

#### DIMENSIONS (mm)



sermat **GRÜN**  
**ex**