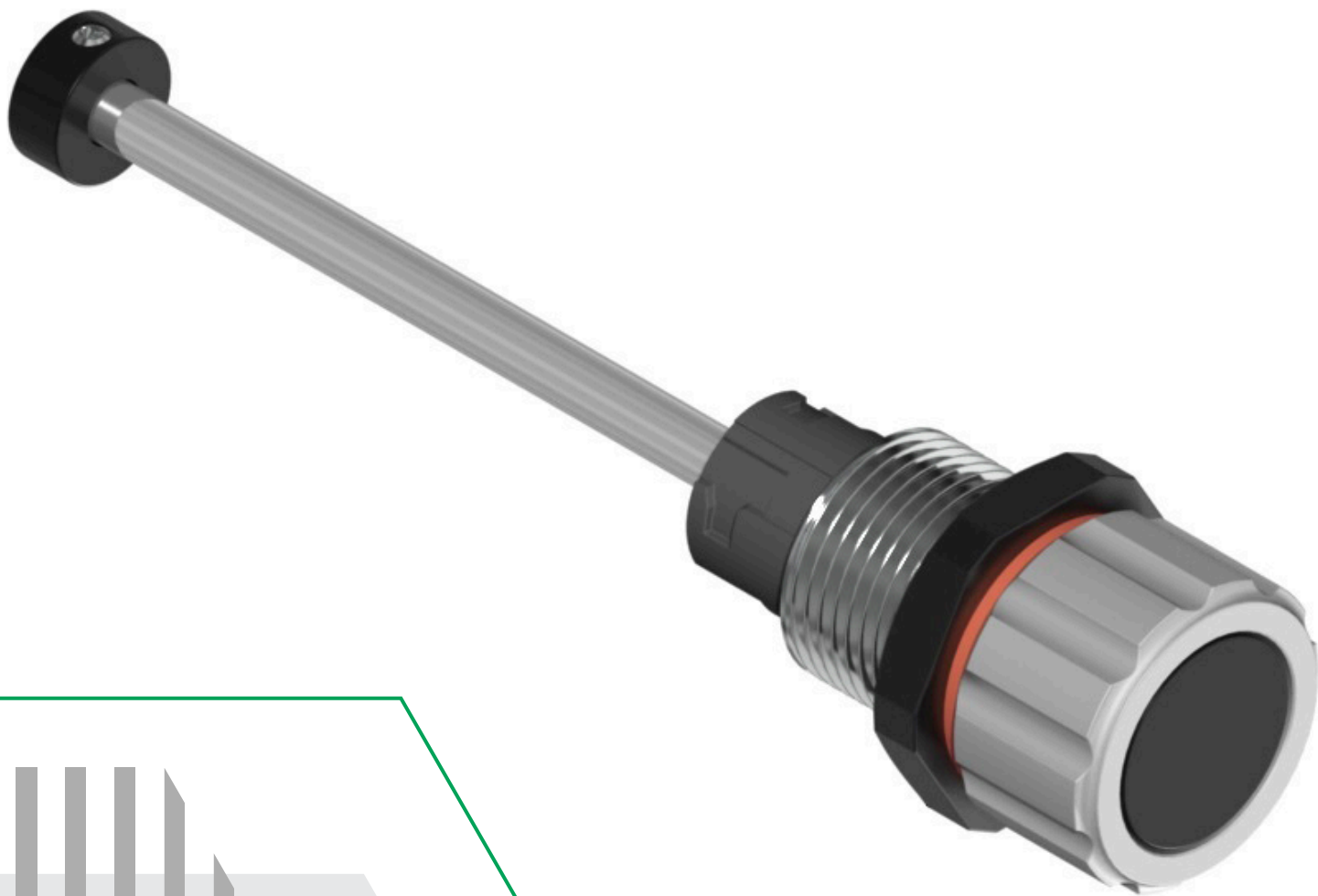


RESET PUSH BUTTON

GBR








sermat **GRÜN**
ex

REV.23 / 06.03.2025

RESET PUSH BUTTON

Technical Data

TECHNICAL SPECIFICATION

TYPE OF PROTECTION	Ex "d" – Flameproof Ex "t" – Dust ignition protection	Explosion proof Dust ignition proof	Ex "d" – Flameproof Ex "t" – Dust ignition protection
MARKING	Ex db IIC Gb Ex tb IIIC Db	Class I, Groups B, C, D Class II, Groups E, F, G Class III	II 2 G Ex db IIC / IIB +H ₂ Gb II 2 D Ex tb IIIC Db
AREA OF APPLICATION	Zone 1 Zone 2 Zone 21 Zone 22	Class I, Div 1 & 2, Groups B, C, D. Class II, Div 1 & 2, Groups E, F, G. Class III	Zone 1 Zone 2 Zone 21 Zone 22
INGRESS PROTECTION	IP66W (W: salt spray)	Type 4X	IP66
TEMPERATURE RANGE	-50°C to 60°C (-40°F to 158°F)	-50°C to 60°C (-40°F to 158°F)	-50°C to 100°C (-40°F to 212°F)
THREAD SIZE	M22 x 1,5 3/4" NPSM	M22 x 1,5 3/4" NPSM	M22 x 1,5 3/4" NPSM
THREAD LENGTH	25mm (Normal) 40mm (Long) 57mm (Extra Long)	25mm (Normal) 40mm (Long) 57mm (Extra Long)	25mm (Normal) 40mm (Long) 57mm (Extra Long)
INSTALLATION	for M22x1,5 THREAD in Ex "d"enclosures : (min. wall thickness : 8 mm engaged thread) in Ex "tb" enclosures : (min. wall thickness : 3 mm engaged thread)	for M22x1,5 THREAD in Ex "d"enclosures : (min. 6 fully engaged threads) in Ex "tb" enclosures : (min. 3 fully engaged threads)	for M22x1,5 THREAD in Ex "d"enclosures : (min. wall thickness : 8 mm engaged thread) in Ex "tb" enclosures : (min. wall thickness : 3 mm engaged thread)t
	for 3/4"NPSM THREAD in Ex "d"enclosures : (min. 5 fully engaged threads) in Ex "tb" enclosures : (min. wall thickness : 3,7 mm engaged thread)	for 3/4"NPSM THREAD in Ex "d"enclosures : (min. 7 fully engaged threads) in Ex "tb" enclosures : (min. 3 fully engaged threads)	for 3/4"NPSM THREAD in Ex "d"enclosures : (min. 5 fully engaged threads) in Ex "tb" enclosures : (min. wall thickness : 3,7 mm engaged thread)
CERTIFICATE OF COMPLIANCE	Segurança  OCP 0034  INMETRO	 UL LISTED	  IECEx
	INMETRO NCC 24.00128 U	UL UL: E489210	ATEX I IECEx UL 21 ATEX 2390U IECEx ULBR 21.0004U

RESET PUSH BUTTON

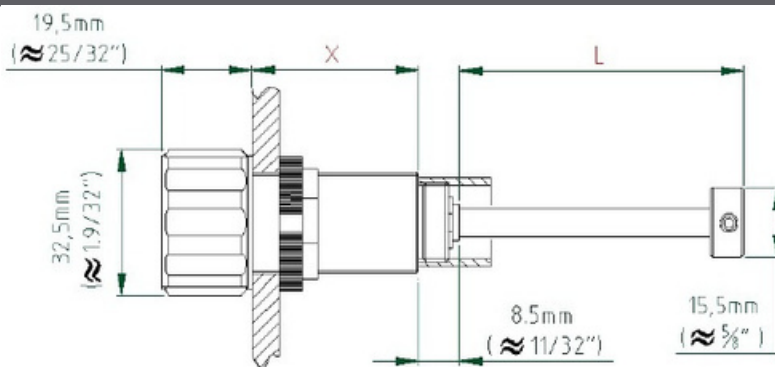
Technical Data

DIMENSIONS

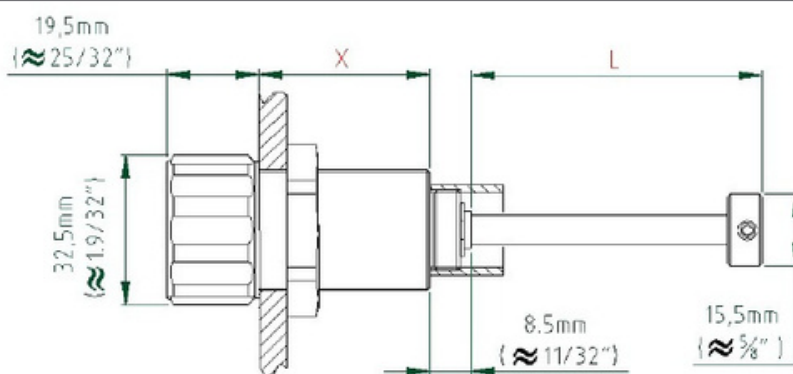
L	
mm	inch
100mm	≈ 3.15/16"
120mm	≈ 4.23/32"
300mm	≈ 11.13/16"

X	
mm	inch
25mm	≈ 1"
40mm	≈ 1.19/32"
57mm	≈ 2.1/4"

M22 X 1,5



3/4"NPSM



RESET PUSH BUTTON

Ordering Code & Codification Examples

ORDERING CODE

SGEXXGBR A + B + C

X

THREAD SIZE

size	M22x 1,5	3/4"NPSM
code	22	26

A

THREAD LENGTH

length	25mm	40mm	57mm
code	N	L	X

B

COLOR



color	Blue	Yellow	Red	Green	White	Black
code	AZ	AM	VM	VD	BR	PR

C

ROD LENGTH



L	
code	size
100	100mm
120	120mm
300	300mm



CODIFICATION EXAMPLES

 SGEX26GBR	+	3/4NPSM LENGTH 25MM N	+	 VM	+	 L = 100mm 100	=	SGEX26GBRNV100
 SGEX22GBR	+	M22X 1,5 LENGTH 25MM N	+	 VD	+	 L = 120mm 120	=	SGEX22GBRNV120

RESET PUSH BUTTON

Accessories

ACCESSORIES

IDENTIFICATION PLATE (only for M22x1,5 thread)



CODE	S2PL1	
------	-------	--

PRINTABLE AREA	19x27 mm
----------------	----------

G00	LIGA	G05	STOP
G01	DESLIGA	G06	RESET
G02	ABRE	G07	OPEN
G03	FECHA	G08	CLOSE
G04	START	G09	

DIMENSIONS (mm)

