

DIAL FOR MULTI-TURN POTENTIOMETER

GBPMV



sermat **GRÜN**
ex

REV.22 / 06.03.2025

DIAL FOR MULTI-TURN POTENTIOMETER

Technical Data



TECHNICAL SPECIFICATION

TYPE OF PROTECTION	Ex "d" – Flameproof Ex "t" – Dust ignition protection	Explosion proof Dust ignition proof	Ex "d" – Flameproof Ex "t" – Dust ignition protection
MARKING	Ex db IIC Gb Ex tb IIIC Db	Class I, Groups B, C, D Class II, Groups E, F, G Class III	II 2 G Ex db IIC / IIB +H ₂ Gb II 2 D Ex tb IIIC Db
AREA OF APPLICATION	Zone 1 Zone 2 Zone 21 Zone 22	Class I, Div 1 & 2, Groups B, C, D. Class II, Div 1 & 2, Groups E, F, G. Class III	Zone 1 Zone 2 Zone 21 Zone 22
INGRESS PROTECTION	IP66W (W: salt spray)	Type 4X	IP66
TEMPERATURE RANGE	-50°C to 60°C (-40°F to 158°F)	-50°C to 60°C (-40°F to 158°F)	-50°C to 100°C (-40°F to 212°F)
THREAD SIZE	M22 x 1,5 3/4" NPSM	M22 x 1,5 3/4" NPSM	M22 x 1,5 3/4" NPSM
THREAD LENGTH	25mm (Normal) 40mm (Long) 57mm (Extra Long)	25mm (Normal) 40mm (Long) 57mm (Extra Long)	25mm (Normal) 40mm (Long) 57mm (Extra Long)
INSTALLATION	for M22x1,5 THREAD in Ex "d"enclosures : (min. wall thickness : 8 mm engaged thread) in Ex "tb" enclosures : (min. wall thickness : 3 mm engaged thread)	for M22x1,5 THREAD in Ex "d"enclosures : (min. 6 fully engaged threads) in Ex "tb" enclosures : (min. 3 fully engaged threads)	for M22x1,5 THREAD in Ex "d"enclosures : (min. wall thickness : 8 mm engaged thread) in Ex "tb" enclosures : (min. wall thickness : 3 mm engaged thread)t
	for 3/4"NPSM THREAD in Ex "d"enclosures : (min. 5 fully engaged threads) in Ex "tb" enclosures : (min. wall thickness : 3,7 mm engaged thread)	for 3/4"NPSM THREAD in Ex "d"enclosures : (min. 7 fully engaged threads) in Ex "tb" enclosures : (min. 3 fully engaged threads)	for 3/4"NPSM THREAD in Ex "d"enclosures : (min. 5 fully engaged threads) in Ex "tb" enclosures : (min. wall thickness : 3,7 mm engaged thread)
CERTIFICATE OF COMPLIANCE	Segurança OCP 0034 INMETRO	 UL LISTED	 IECEx
	INMETRO	UL	ATEX I IECEx
	NCC 24.0128 U	UL: E489210	UL 21 ATEX 2390U IECEx ULBR 21.0004U

DIAL FOR MULTI-TURN POTENTIOMETER

Technical Data

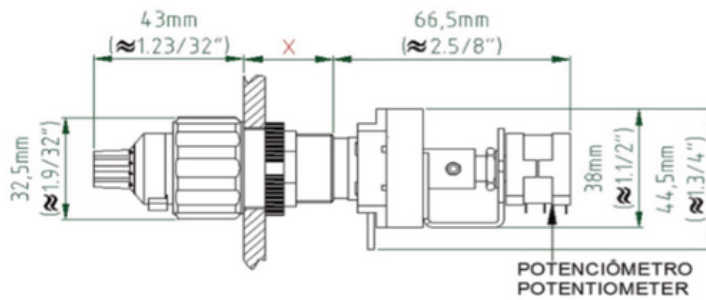
ELECTRICAL INFORMATION

MECHANICAL ROTATION	3600° (10 turns of 360°)
POWER RATING	2W
RESISTENCE VALUES	100R, 200R, 500R, 1K, 2K, 5K, 10K, 20K, 50K, 100K

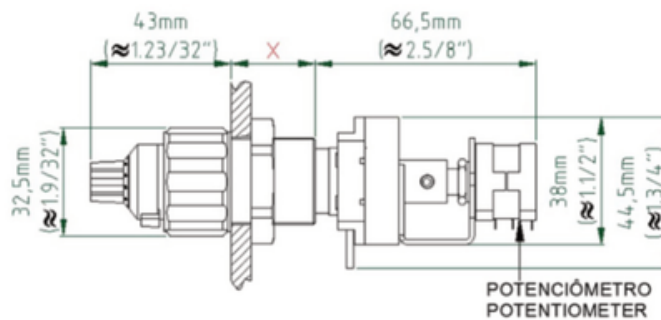
DIMENSIONS

X	
mm	inch
25mm	≈ 1"
40mm	≈ 1.19/32"
57mm	≈ 2.1/4"

M22 X 1,5



3/4"NPSM



DIAL FOR MULTI-TURN POTENTIOMETER

Ordering Code & Codification Exemples

ORDERING CODE

SGEXXGBPMV **A** + **B**

X

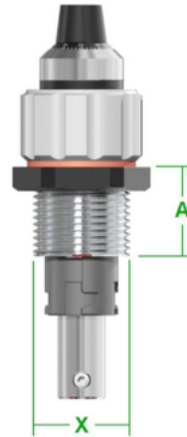
THREAD SIZE

size	M22x 1,5	3/4"NPSM
code	22	26

A

THREAD LENGTH

length	25mm	40mm	57mm
code	N	L	X



B

RESISTANCE (Ω)

resistance	100Ω	200Ω	500Ω	1kΩ	2kΩ
code	100R	200R	500R	1K	2K
resistance	5kΩ	10kΩ	20kΩ	50kΩ	100kΩ
code	5K	10K	20K	50K	100K

NOTE:
THE MAXIMUM TOLERANCE FOR A MULTI-TURN POTENTIOMETER IS +/- 20%

CODIFICATION EXAMPLES

	+	3/4NPSM LENGTH 25MM	+	RESISTANCE 20KΩ	=	SGEX26GBPMVN20K
SGEX26GBPMV		N		20K		
	+	M22X 1,5 LENGTH 25MM	+	RESISTANCE 50KΩ	=	SGEX22GBPMVN50K
SGEX22GBPMV		N		50K		



sermat **GRÜN**
ex