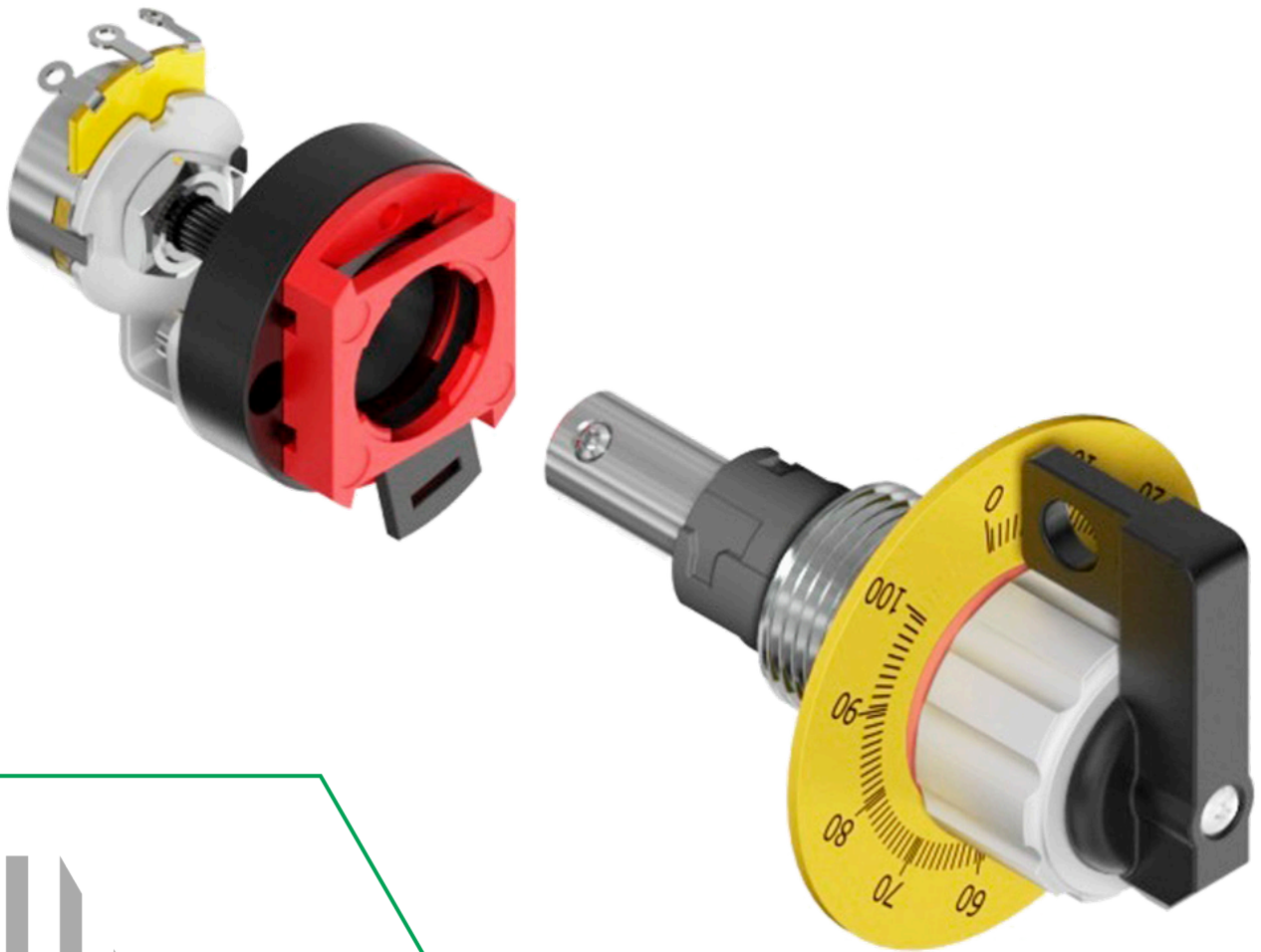


DIAL FOR SINGLE-TURN POTENTIOMETER

GBPCO



sermat **GRÜN**
ex

REV.22 / 06.03.2025

DIAL FOR SINGLE-TURN POTENTIOMETER

Technical Data



TECHNICAL SPECIFICATION

TYPE OF PROTECTION	Ex "d" – Flameproof Ex "t" – Dust ignition protection	Explosion proof Dust ignition proof	Ex "d" – Flameproof Ex "t" – Dust ignition protection
MARKING	Ex db IIC Gb Ex tb IIIC Db	Class I, Groups B, C, D Class II, Groups E, F, G Class III	II 2 G Ex db IIC / IIB +H ₂ Gb II 2 D Ex tb IIIC Db
AREA OF APPLICATION	Zone 1 Zone 2 Zone 21 Zone 22	Class I, Div 1 & 2, Groups B, C, D. Class II, Div 1 & 2, Groups E, F, G. Class III	Zone 1 Zone 2 Zone 21 Zone 22
INGRESS PROTECTION	IP66W (W: salt spray)	Type 4X	IP66
TEMPERATURE RANGE	-50°C to 60°C (-40°F to 158°F)	-50°C to 60°C (-40°F to 158°F)	-50°C to 100°C (-40°F to 212°F)
THREAD SIZE	M22 x 1,5 3/4" NPSM	M22 x 1,5 3/4" NPSM	M22 x 1,5 3/4" NPSM
THREAD LENGTH	25mm (Normal) 40mm (Long) 57mm (Extra Long)	25mm (Normal) 40mm (Long) 57mm (Extra Long)	25mm (Normal) 40mm (Long) 57mm (Extra Long)
INSTALLATION	for M22x1,5 THREAD in Ex "d" enclosures : (min. wall thickness : 8 mm engaged thread) in Ex "tb" enclosures : (min. wall thickness : 3 mm engaged thread)	for M22x1,5 THREAD in Ex "d" enclosures : (min. 6 fully engaged threads) in Ex "tb" enclosures : (min. 3 fully engaged threads)	for M22x1,5 THREAD in Ex "d" enclosures : (min. wall thickness : 8 mm engaged thread) in Ex "tb" enclosures : (min. wall thickness : 3 mm engaged thread)
	for 3/4"NPSM THREAD in Ex "d" enclosures : (min. 5 fully engaged threads) in Ex "tb" enclosures : (min. wall thickness : 3,7 mm engaged thread)	for 3/4"NPSM THREAD in Ex "d" enclosures : (min. 7 fully engaged threads) in Ex "tb" enclosures : (min. 3 fully engaged threads)	for 3/4"NPSM THREAD in Ex "d" enclosures : (min. 5 fully engaged threads) in Ex "tb" enclosures : (min. wall thickness : 3,7 mm engaged thread)
CERTIFICATE OF COMPLIANCE	Segurança OCP 0034 INMETRO	 UL	 ATEX I IECEx
	INMETRO NCC 24.0128 U	UL UL: E489210	ATEX I IECEx UL 21 ATEX 2390U IECEx ULBR 21.0004U

DIAL FOR SINGLE-TURN POTENTIOMETER

Technical Data

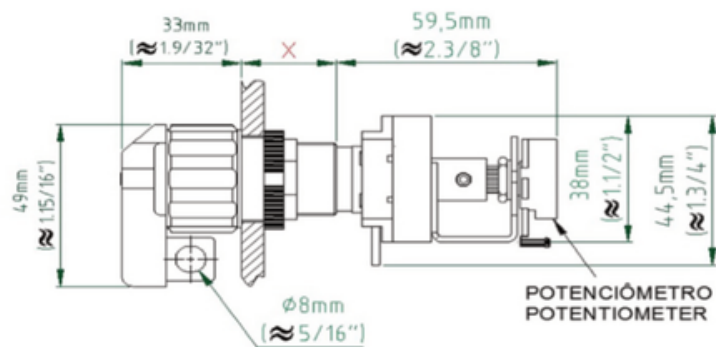
ELECTRICAL INFORMATION

MECHANICAL ROTATION	315°
POWER RATING	0,25W
RESISTENCE VALUES	220R, 470R, 1k, 2.2K, 4,7K, 10K, 22K, 47K, 100K, 220K, 470K, 1M

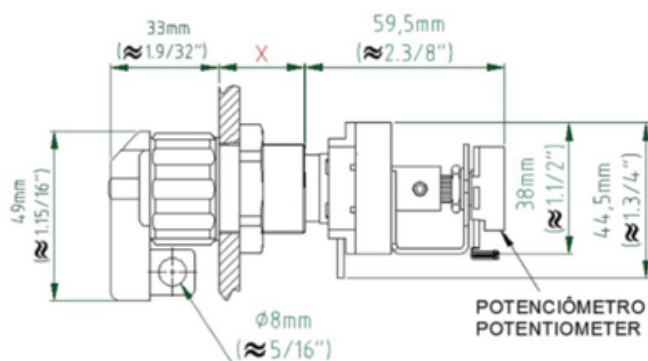
DIMENSIONS

X	
mm	inch
25mm	≈ 1"
40mm	≈ 1.19/32"
57mm	≈ 2.1/4"

M22 X 1,5



3/4"NPSM



DIAL FOR SINGLE-TURN POTENTIOMETER

Ordering Code & Codification Exemples

ORDERING CODE

SGEXXGBPCO **A** + **B**

X

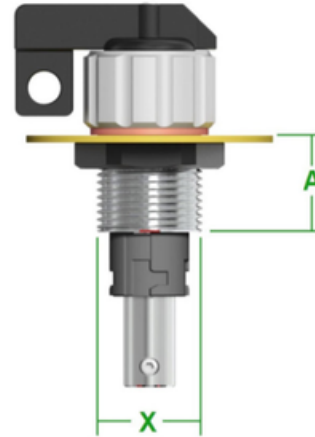
THREAD SIZE

size	M22x 1,5	3/4"NPSM
code	22	26

A

THREAD LENGTH

length	25mm	40mm	57mm
code	N	L	X



B

RESISTANCE (Ω)

resistance	220Ω	470	1kΩ	2,2kΩ	4,7kΩ	10kΩ
code	220R	Ω	1K	2K2	4K7	10K
470R						
resistance	22kΩ	47kΩ	100kΩ	220kΩ	470kΩ	1MΩ
code	22K	47K	100K	220K	470K	1M

NOTE:
THE MAXIMUM TOLERANCE FOR A SINGLE-TURN POTENTIOMETER IS +/- 20%

CODIFICATION EXAMPLES

	+	3/4NPSM LENGTH 25MM	+	RESISTANCE 2,2KΩ	=	SGEX26GBPCON2K2
SGEX26GBPCO		N		2K2		
	+	M22X 1,5 LENGTH 25MM	+	RESISTANCE 1KΩ	=	SGEX22GBPCON1K
SGEX22GBPCO		N		1K		



sermat **GRÜN**
ex