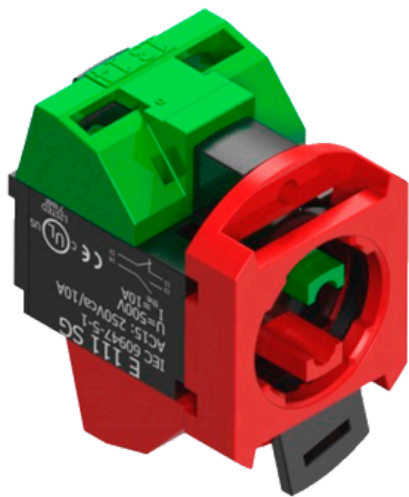


# MUSHROOM-HEAD PUSH-BUTTON

GBEMO



sermat **GRÜN**  
**ex**






REV.24 / 27.04.2026

# MUSHROOM-HEAD

## Technical Data



### TECHNICAL SPECIFICATION

TYPE OF PROTECTION	Ex "d" – Flameproof Ex "t" – Dust ignition protection	Explosion proof Dust ignition proof	Ex "d" – Flameproof Ex "t" – Dust ignition protection
MARKING	Ex db IIC Gb Ex tb IIIC Db	Class I, Groups B, C, D Class II, Groups E, F, G Class III	II 2 G Ex db IIC / IIB +H <sub>2</sub> Gb II 2 D Ex tb IIIC Db
AREA OF APPLICATION	Zone 1 Zone 2 Zone 21 Zone 22	Class I, Div 1 & 2, Groups B, C, D. Class II, Div 1 & 2, Groups E, F, G. Class III	Zone 1 Zone 2 Zone 21 Zone 22
INGRESS PROTECTION	IP66W (W: salt spray)	Type 4X	IP66
TEMPERATURE RANGE	-50°C to 60°C (-40°F to 158°F)	-50°C to 60°C (-40°F to 158°F)	-50°C to 100°C (-40°F to 212°F)
THREAD SIZE	M22 x 1,5 3/4" NPSM	M22 x 1,5 3/4" NPSM	M22 x 1,5 3/4" NPSM
THREAD LENGTH	25mm (Normal) 40mm (Long) 57mm (Extra Long)	25mm (Normal) 40mm (Long) 57mm (Extra Long)	25mm (Normal) 40mm (Long) 57mm (Extra Long)
INSTALLATION	<b>for M22x1,5 THREAD</b> in Ex "d"enclosures : (min. wall thickness : 8 mm engaged thread) in Ex "tb" enclosures : (min. wall thickness : 3 mm engaged thread)	<b>for M22x1,5 THREAD</b> in Ex "d"enclosures : (min. 6 fully engaged threads) in Ex "tb" enclosures : (min. 3 fully engaged threads)	<b>for M22x1,5 THREAD</b> in Ex "d"enclosures : (min. wall thickness : 8 mm engaged thread) in Ex "tb" enclosures : (min. wall thickness : 3 mm engaged thread)t
	<b>for 3/4"NPSM THREAD</b> in Ex "d"enclosures : (min. 5 fully engaged threads) in Ex "tb" enclosures : (min. wall thickness : 3,7 mm engaged thread)	<b>for 3/4"NPSM THREAD</b> in Ex "d"enclosures : (min. 7 fully engaged threads) in Ex "tb" enclosures : (min. 3 fully engaged threads)	<b>for 3/4"NPSM THREAD</b> in Ex "d"enclosures : (min. 5 fully engaged threads) in Ex "tb" enclosures : (min. wall thickness : 3,7 mm engaged thread)
CERTIFICATE OF COMPLIANCE	<p><b>Segurança</b></p>   <p>OCP 0034 INMETRO</p>	 <p>UL LISTED</p>	  <p>IECEx</p>
	<b>INMETRO</b>	<b>UL</b>	<b>ATEX I IECEx</b>
	NCC 24.0128 U	UL: E489210	UL 21 ATEX 2390U IECEx ULBR 21.0004U

# MUSHROOM-HEAD

## Technical Data

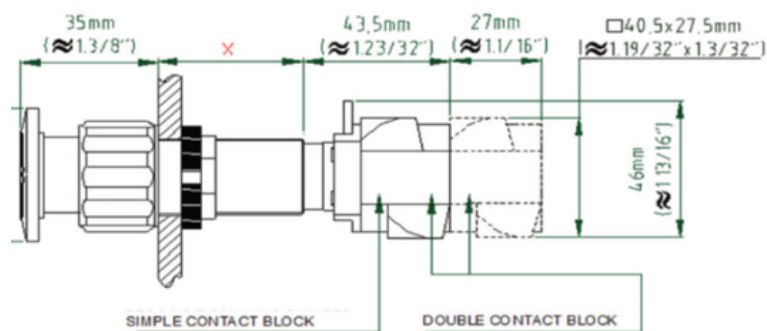
### ELECTRICAL INFORMATION

CONTACT BLOCKS INFORMATION		
RATED VOLTAGE	Ui 500V	
RATED CURRENT	Ith 10A	
CONTACTS FOR AC 15	VOLTAGE	CURRENT
	220V	10A
	380V	7,5A
CONTACTS FOR DC 13	VOLTAGE	CURRENT
	24V	2,75A
	60V	1,10A
	110V	0,55A
	220V	0,27A

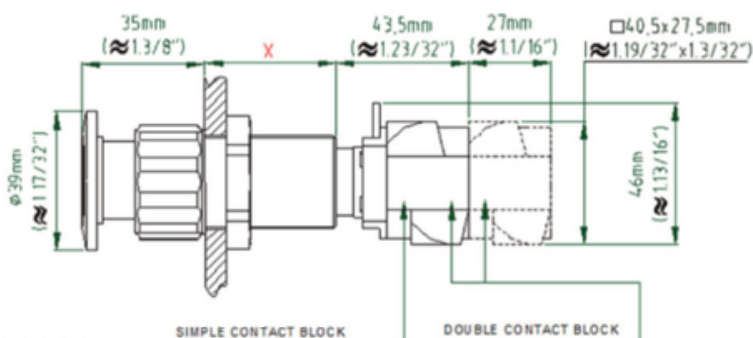
### DIMENSIONS

X	
mm	inch
25mm	≈ 1"
40mm	≈ 1.19/32"
57mm	≈ 2.1/4"

#### M22 X 1,5



#### 3/4"NPSM



# MUSHROOM-HEAD

Ordering Code

## ORDERING CODE

SGEXXGBEMO **A** + **B** + **C**

**X**

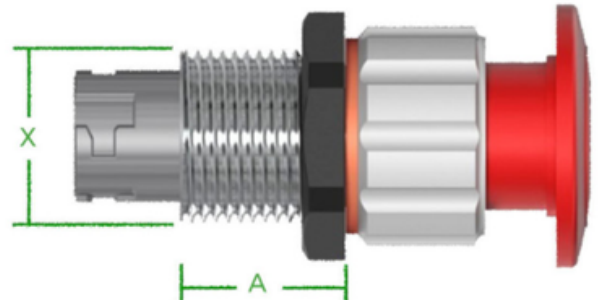
### THREAD SIZE

size	M22x 1,5	3/4"NPSM
code	22	26

**A**

### THREAD LENGTH

length	25mm	40mm	57mm
code	N	L	X



**B**

### COLOR

color	Blue	Yellow	Red	Green	White	Black
code	AZ	AM	VM	VD	BR	PR

**C**

### CONTACT BLOCKS

	NO	NC	NONC	2NO	2NO
code	10	01	11	20	02

### SPECIAL CONTACT BLOCK

### DOUBLE CONTACT BLOCKS

	1NO 3NC	4NC	4NO	3NO1NC	2NO2NC
code	13	04	40	31	22

### CONTACT BLOCKS WITH RETENTION

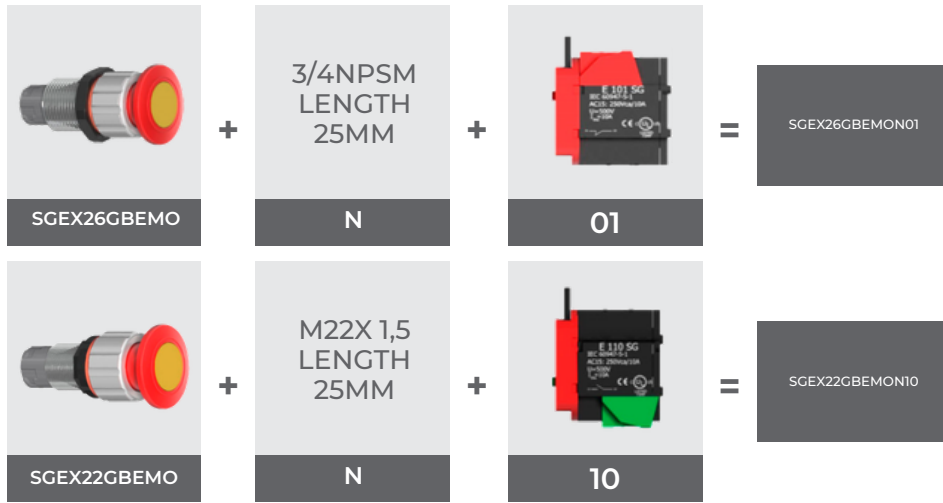
FUNCTION: Push-on, Push-off

	NO (w/ retention)	NC (w/ retention)	NONC (w/ retention)	2NO (w/ retention)	2NC (w/ retention)
code	10R	01R	11R	20R	02R

# MUSHROOM-HEAD

## Codification Examples & Accessories

### CODIFICATION EXAMPLES



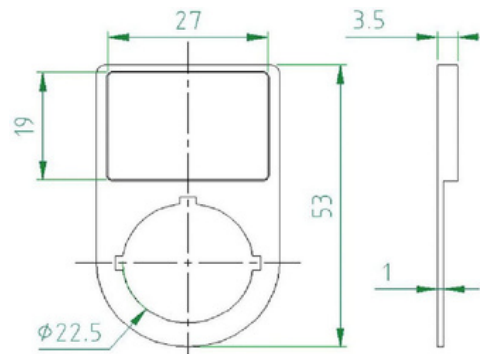
### ACCESSORIES

#### IDENTIFICATION PLATE (only for M22x1,5 thread)



CODE	S2PL1		
PRINTABLE AREA	19x27 mm		
G00	LIGA	G05	STOP
G01	DESLIGA	G06	RESET
G02	ABRE	G07	OPEN
G03	FECHA	G08	CLOSE
G04	START	G09	

#### DIMENSIONS (mm)

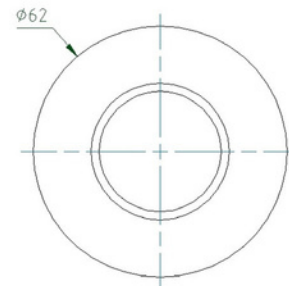


#### BACK PLATE (for 3/4 NPSM or M22x1,5 thread)



CODE	S2PE
------	------

#### DIMENSIONS (mm)



#### TRAVABE (for 3/4 NPSM or M22x1,5 thread)

TRAVABE can be used to lock the button in either the open or close position with a pad lock



CODE	TRAVABE
------	---------

#### DIMENSIONS (mm)

