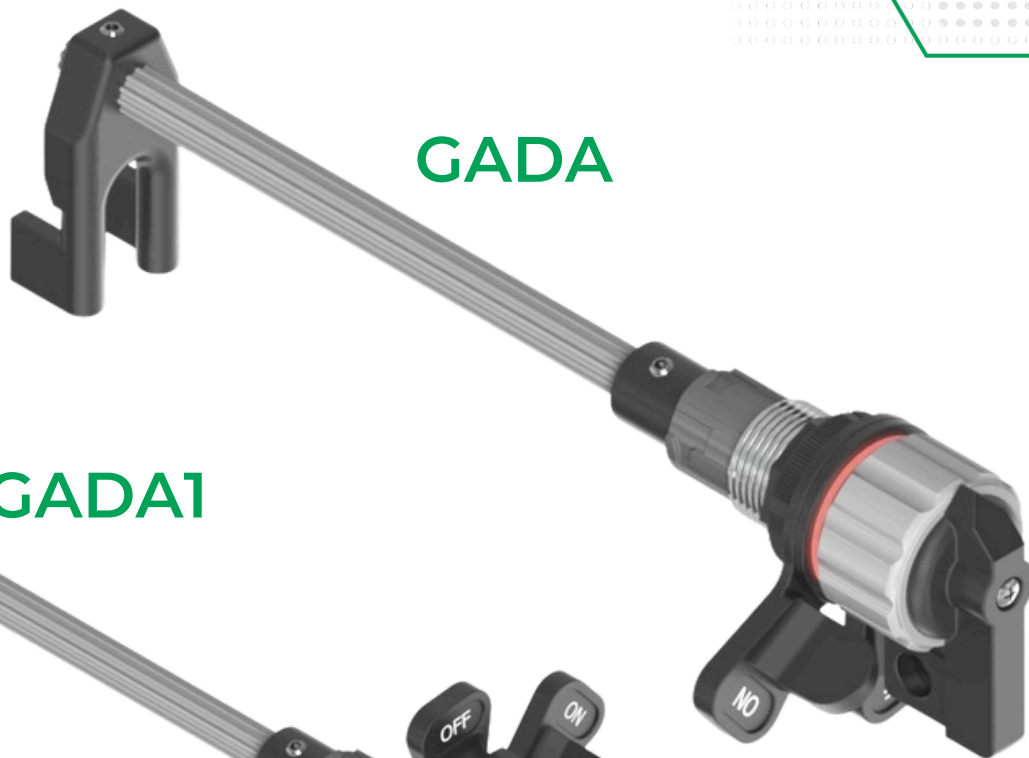


CIRCUIT BREAKER ACTUATOR

ADJUSTABLE

GADA



GADA



GADA1



sermat **GRÜN**
ex







REV.26 / 27.04.2026

p. 1 of 5

CIRCUIT BREAKER ACTUATOR - ADJUSTABLE

Technical Data

TECHNICAL SPECIFICATION

TYPE OF PROTECTION	Ex "d" – Flameproof Ex "t" – Dust ignition protection	Explosion proof Dust ignition proof	Ex "d" – Flameproof Ex "t" – Dust ignition protection
MARKING	Ex db IIC Gb Ex tb IIIC Db	Class I, Groups B, C, D Class II, Groups E, F, G Class III	II 2 G Ex db IIC / IIB +H ₂ Gb II 2 D Ex tb IIIC Db
AREA OF APPLICATION	Zone 1 Zone 2 Zone 21 Zone 22	Class I, Div 1 & 2, Groups B, C, D. Class II, Div 1 & 2, Groups E, F, G. Class III	Zone 1 Zone 2 Zone 21 Zone 22
INGRESS PROTECTION	IP66W (W: salt spray)	Type 4X	IP66
TEMPERATURE RANGE	-50°C to 60°C (-40°F to 158°F)	-50°C to 60°C (-40°F to 158°F)	-50°C to 100°C (-40°F to 212°F)
THREAD SIZE	M22 x 1,5 3/4" NPSM	M22 x 1,5 3/4" NPSM	M22 x 1,5 3/4" NPSM
THREAD LENGTH	25mm (Normal) 40mm (Long) 57mm (Extra Long)	25mm (Normal) 40mm (Long) 57mm (Extra Long)	25mm (Normal) 40mm (Long) 57mm (Extra Long)
INSTALLATION	for M22x1,5 THREAD	for M22x1,5 THREAD	for M22x1,5 THREAD
	in Ex "d"enclosures : (min. wall thickness : 8 mm engaged thread) in Ex "tb" enclosures : (min. wall thickness : 3 mm engaged thread)	in Ex "d"enclosures : (min. 6 fully engaged threads) in Ex "tb" enclosures : (min. 3 fully engaged threads)	in Ex "d"enclosures : (min. wall thickness : 8 mm engaged thread) in Ex "tb" enclosures : (min. wall thickness : 3 mm engaged thread)t
CERTIFICATE OF COMPLIANCE	for 3/4"NPSM THREAD	for 3/4"NPSM THREAD	for 3/4"NPSM THREAD
	in Ex "d"enclosures : (min. 5 fully engaged threads) in Ex "tb" enclosures : (min. wall thickness : 3,7 mm engaged thread)	in Ex "d"enclosures : (min. 7 fully engaged threads) in Ex "tb" enclosures : (min. 3 fully engaged threads)	in Ex "d"enclosures : (min. 5 fully engaged threads) in Ex "tb" enclosures : (min. wall thickness : 3,7 mm engaged thread)
	   INMETRO NCC 24.0128 U	 UL UL: E489210	  ATEX I IECEx UL 21 ATEX 2390U IECEx ULBR 21.0004U

CIRCUIT BREAKER ACTUATOR - ADJUSTABLE

Technical Data

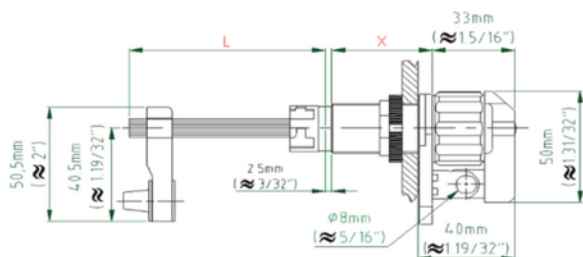
DIMENSIONS

L	
mm	inch
100mm	≈ 3.15/16"
150mm	≈ 5.29/32"
200mm	≈ 7.7/8"

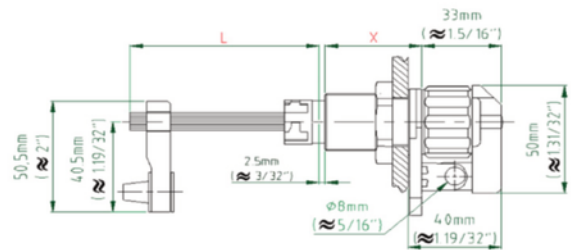
X	
mm	inch
25mm	≈ 1"
40mm	≈ 1.19/32"
57mm	≈ 2.1/4"

GADA

M22X 1,5

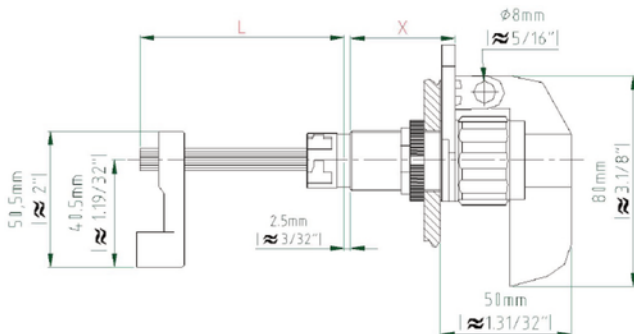


3/4" NPSM

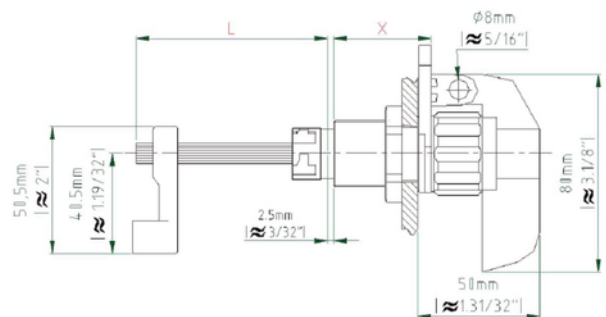


GADA1

M22X 1,5



3/4" NPSM



CIRCUIT BREAKER ACTUATOR - ADJUSTABLE

Ordering Code

ORDERING CODE

SGEXXGAD **A + B + C + D + E + F**

X

THREAD SIZE

size	M22x 1,5	3/4"NPSM
code	22	26

A

HANDLE LENGTH



	50mm	80mm
code	A	A1

B

THREAD LENGTH

length	25mm	40mm	57mm
code	N	L	X

D

FORK MODEL



	SLIM WITH SLIDER	SLIM WITHOUT SLIDER	WITHOUT SLIDER	WITH SLIDER	FOR MOTOR BREAKER
code	CRS	SRS	SR	CR	MO

E

ALUMINIUM ROD LENGTH



L	
code	size
100	100mm
150	150mm
200	200mm

F

EXTERNAL LIMITER FOR PADLOCK



	LIGA /DESLIGA	ON/OFF
code	B1	B2

APPLICATION:

Ideal for use with DIN circuit breakers in explosion-proof enclosures for lighting. Used for the external operation of circuit breakers via a rotary handle.





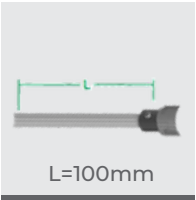

Easy adjustment of the fork's position on the aluminum rod. Spring-return to the "Off" position. Handle available in two sizes: 50 mm and 80 mm.

CIRCUIT BREAKER

ACTUATOR - ADJUSTABLE

Codification Examples

CODIFICATION EXAMPLES

 SGEX26GADA	+	 3/4NPSM LENGTH 25MM N	+	 CLOCKWISE H	+	 SLIM W/ SLIDER CRS	+	 L=100mm 100	+	 ON/OFF B2
=										
SGEX26GADANHCRS100B2										

 SGEX22GADA1	+	 M22X1,5 LENGTH 25MM N	+	 COUNTER CLOCKWISE A	+	 SLIM WITHOUT SLIDER SRS	+	 L=150mm 150	+	 ON/OFF B2
=										
SGEX22GADA1NASRS150B2										