

# ELECTRONIC DRIVER Ex "e q" FOR LED AND LED MODULE UP TO 70W

DVL070



sermat **GRÜN**  
**ex**

REV.05 / 27.02.2025

p. 1 de 4

# ELECTRONIC DRIVER Ex "e q"

## Technical data

### SPECIFICATION

TYPE OF PROTECTION .....

"Ex e q" – Immersed in sand with increased safety terminals.

MARKING .....

Ex eb q IIC Gb

AREA OF APPLICATION .....

Zone 1

CLASSIFICATION .....

Built-in

CERTIFICATE OF CONFORMITY .....

#### Segurança



OCP 0034



INMETRO

INMETRO

CEPEL 17.2430U

### ELECTRICAL SPECIFICATION

TYPES OF LOAD .....

LED or LED MODULE up to 70W

RATED VOLTAGE .....

110...240 Vca/cc  $\pm 10\%$

MAX. POWER OF LAMPS .....

70 W

CURRENT .....

570mA (110 Vca/Vcc)  
320mA (240 Vca/Vcc)

NETWORK FREQUENCY .....

47 / 63 Hz

FREQUENCY FACTOR .....

127 V = 0,98 220 V = 0,96

HARMONIC DISTORTION .....

< 10%

MAXIMUM TEMPERATURE .....

85C

WORKING TEMPERATURE .....

-20 to 50C

CONNECTORS SECTION .....

0,5 to 2,5 mm<sup>2</sup>

WEIGHT .....

700 g

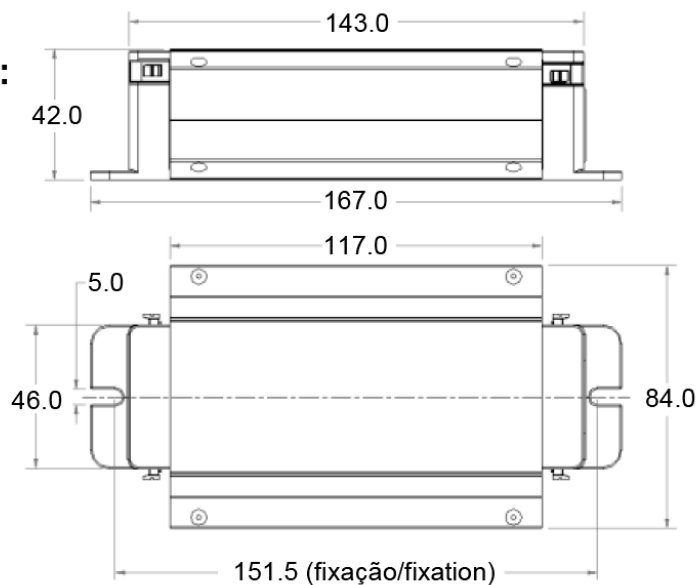
# ELECTRONIC DRIVER Ex "e q"

Technical data

## DIMENSIONS(MM)

ISRRSTB

**Dimensões (mm):**  
**Dimensions (mm):**



## FEATURES

- Built-in electronics for active control of LED supply current and power factor correction.
- Possibility of using the Sermatex Micro Switch .
- Protection against accidental contact (electric shock).

WARNING: In case of installation without the Micro-Switch, perform maintenance with the driver de-energized.

# ELECTRONIC DRIVER Ex "e q"

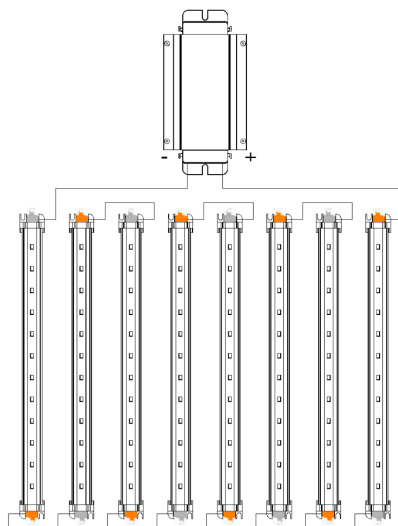
Technical data



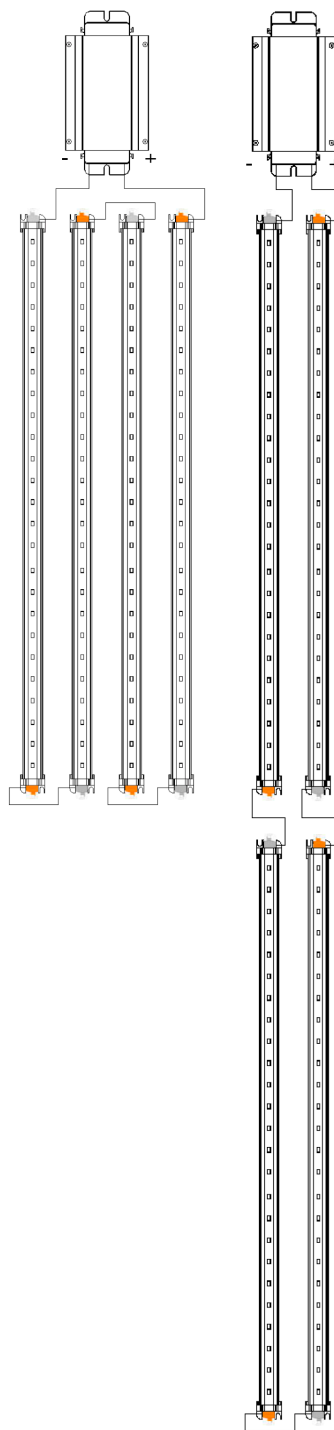
DRIVE CONFIGURATION WITH RLEX LED RULER



INSTALAÇÃO COM 4 A 8 REGUAS DE LED RLEX300  
INSTALLATION WITH 4 TO 8 RLEX300 LED RULES



INSTALAÇÃO COM 2 A 4 REGUAS DE LED RLEX  
INSTALLATION WITH 2 TO 4 RLEX300 LED RUI



Configuração do Drive  
com Régua de Led RLEX  
Driver Configuration with  
RLEX Led Ruler