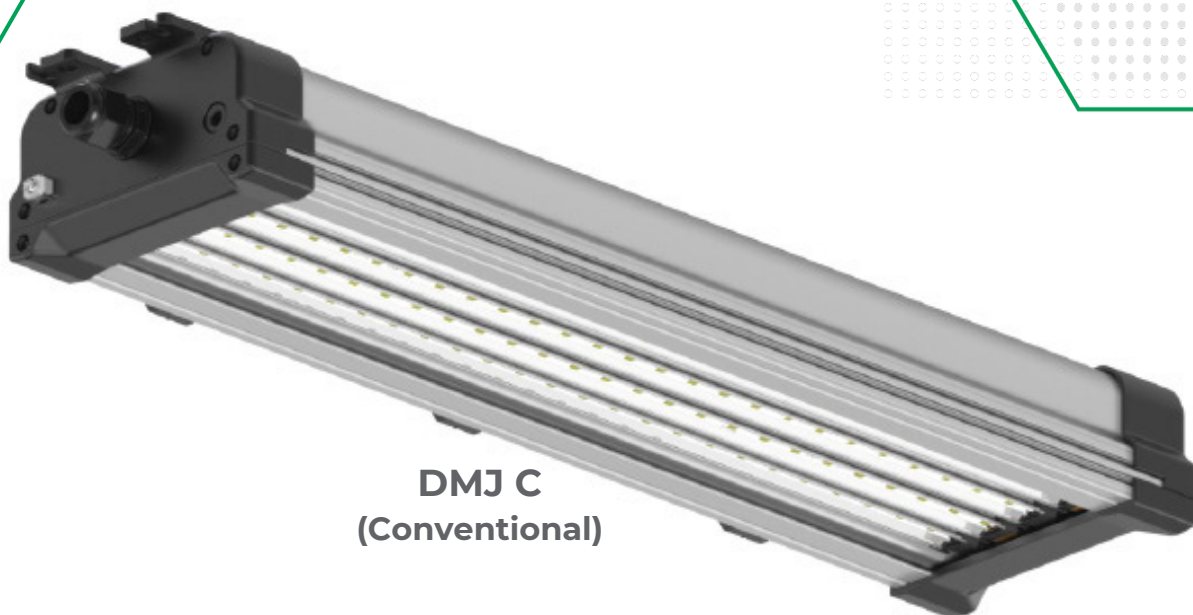
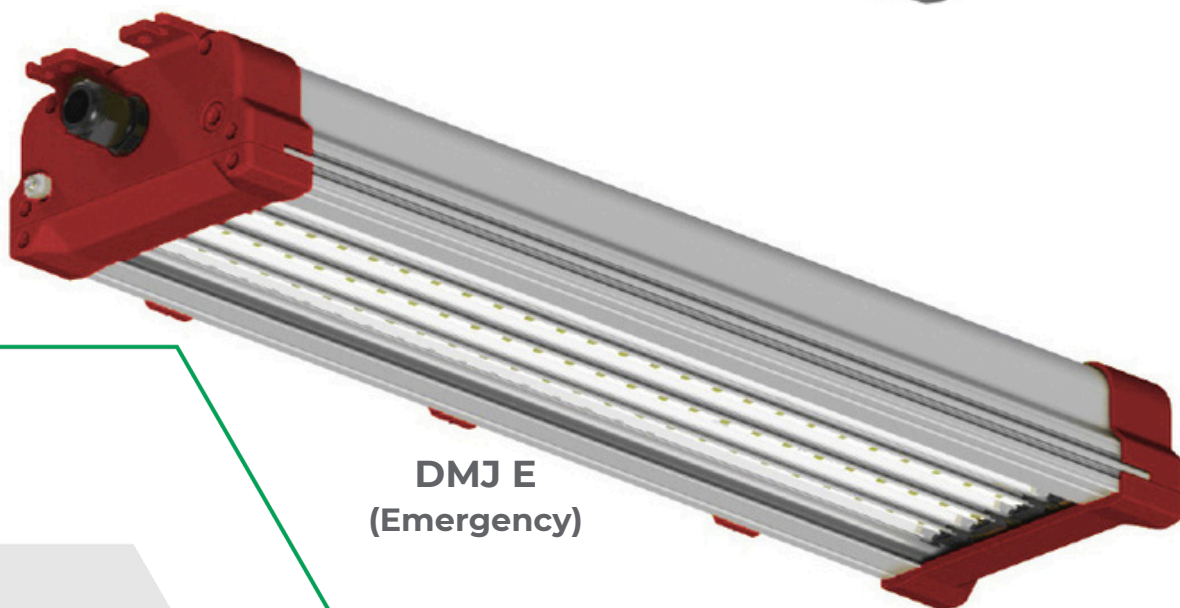


# LINEAR LED LUMINARIES EX DMJ C & DMJ E



**DMJ C**  
(Conventional)



**DMJ E**  
(Emergency)



**sermat** **GRÜN**  
**ex**

REV.10 / 28.04.2026

# LINEAR LED LUMINARIES EX - DMJ C / DMJ E

## Technical data

### SPECIFICATIONS

TYPE OF PROTECTION	Ex "e" - increased security Ex "m" - encapsulated Ex "q" - immersed in sand Ex "op is" - inherently safe optic radiation Ex "t" - dust ignition protection
MARKING	Ex eb mb q op is IIC T5 Gb (60 W luminaires) Ex tb op is IIC T84°C Db (60 W luminaires) Ex eb mb q op is IIC T6 Gb (luminaires with other wattages) Ex tb op is IIC T77°C Db (luminaires with other wattages)
AREA OF APPLICATION	Zone 1 Zone 2 Zone 21 Zone 22
INGRESS PROTECTION	IP66W (W: Salt Spray)
OPERATING TEMPERATURE (ENVIRONMENT)	-40°C to +50°C (-40°F to 122°F)
CABLES ENTRY/EXIT	4 cable entries/exits, equipped with 1 to 4 M20x1.5 or M25x1.5 cable glands. M25x1.5 cable gland for cables with a diameter of 10 mm to 17 mm. M20x1.5 cable gland for cables with Ø 7 mm to Ø 13 mm. At one of the entries/exits, with a Ø 17 mm hole, a PM003 photocell can be installed.
OPERATING VOLTAGE RANGE	108 / 254 Vac/cc 50 / 60 Hz
CURRENT	max. 570 mA
POWER	20 / 30 / 40 / 60 W (Conventional and Emergency)
LUMINOUS FLUX	± 2080 lm (20 W) / ± 3120 lm (30 W) / ± 4160 lm (40 W) / ± 6240 lm (60 W)
LAMP	LED
LUMINOUS FLUX (EMERGENCY)	25% of the nominal value
AUTONOMY TIME (EMERGENCY)	90 min or 180 min
CRI	80
VERSIONS	Conventional (DMJ C...) / Emergency (DMJ E...)
VIBRATION RESISTANCE	According to ABNT NBR IEC 60598-1
COLOR TEMPERATURE (TCC)	5700 K
SIZE	P: 373 mm (conventional and emergency versions, P: 20 W) M: 660 mm (conventional and emergency versions, 30 and 40 W) G: 948 mm (conventional and emergency versions, 60 W)
WEIGHT	20 W: 3,5 kg 30 W: 5,0 kg 40 W: 5,2 kg 60 W: 6,8 kg
CERTIFICATIONS	

#### Segurança



OCP 0034



INMETRO

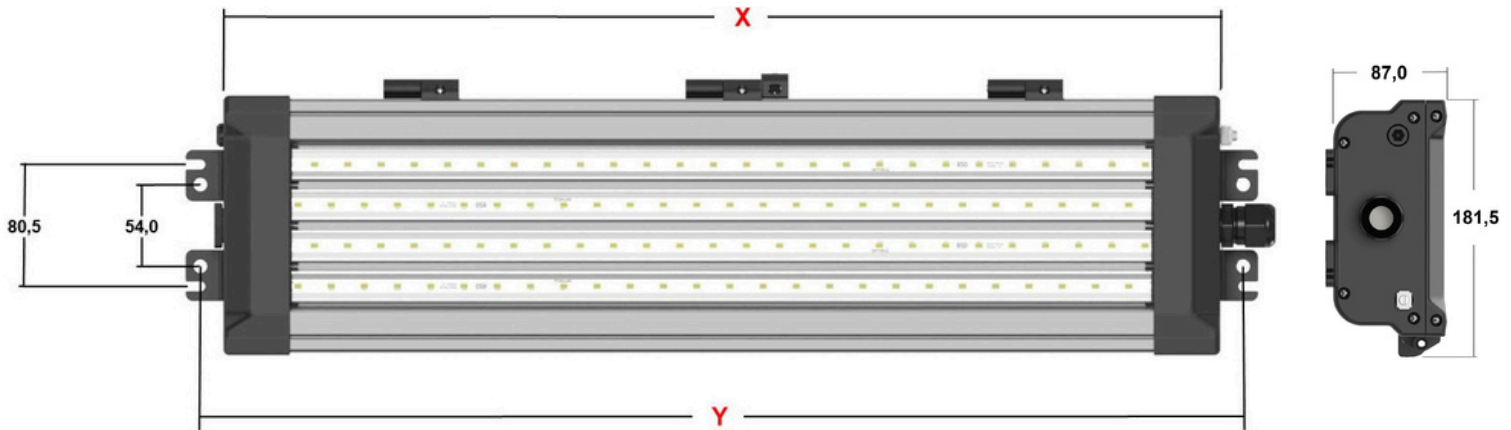
INMETRO

NCC 24.0139 X

# LINEAR LED LUMINARIES EX - DMJ C / DMJ E

## Technical data

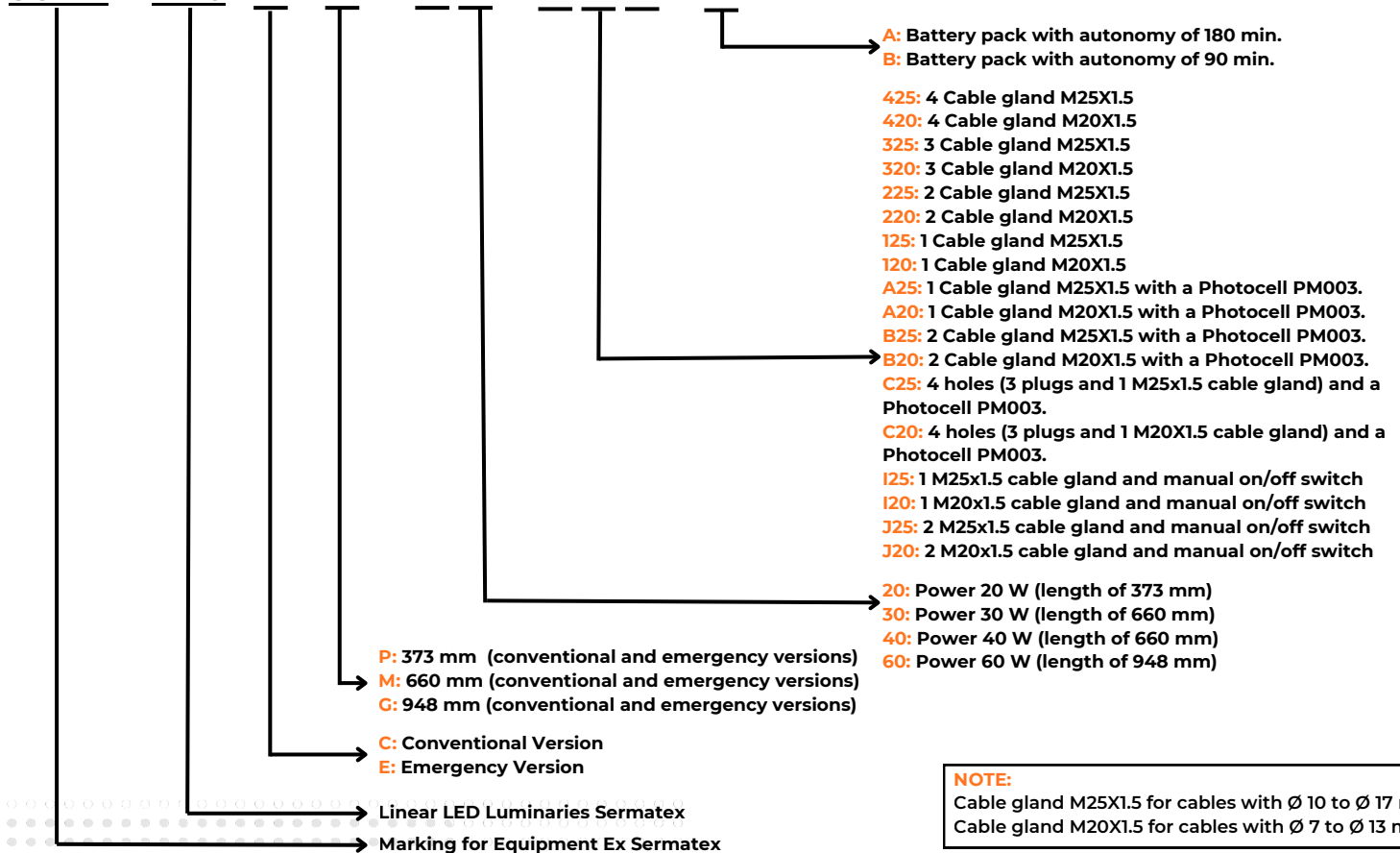
### DIMENSIONS (MM)



X	Y
373 mm	403 mm
660 mm	690 mm
948 mm	978 mm

### ORDERING CODE

SG-EX DMJ



**NOTE:**

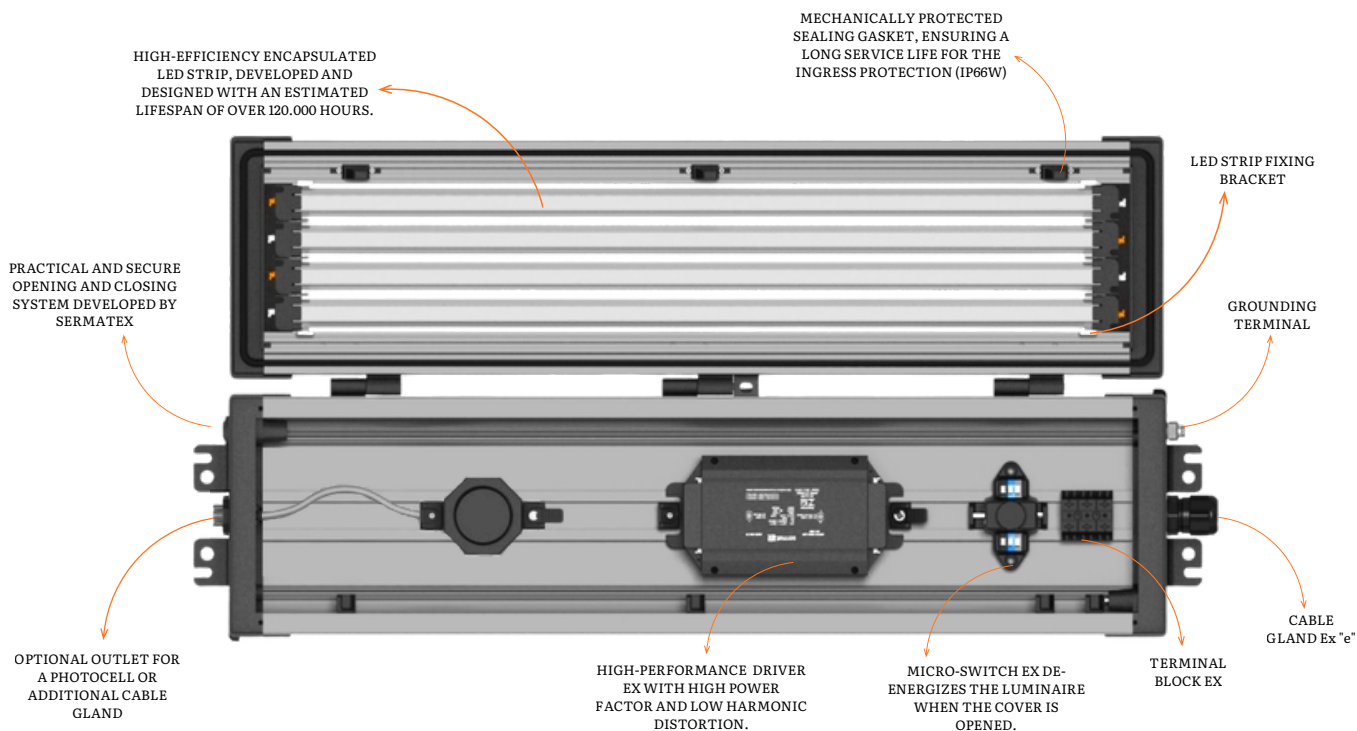
Cable gland M25X1.5 for cables with  $\varnothing$  10 to  $\varnothing$  17 mm.  
 Cable gland M20X1.5 for cables with  $\varnothing$  7 to  $\varnothing$  13 mm.

# LINEAR LED LUMINARIES EX - DMJ C / DMJ E

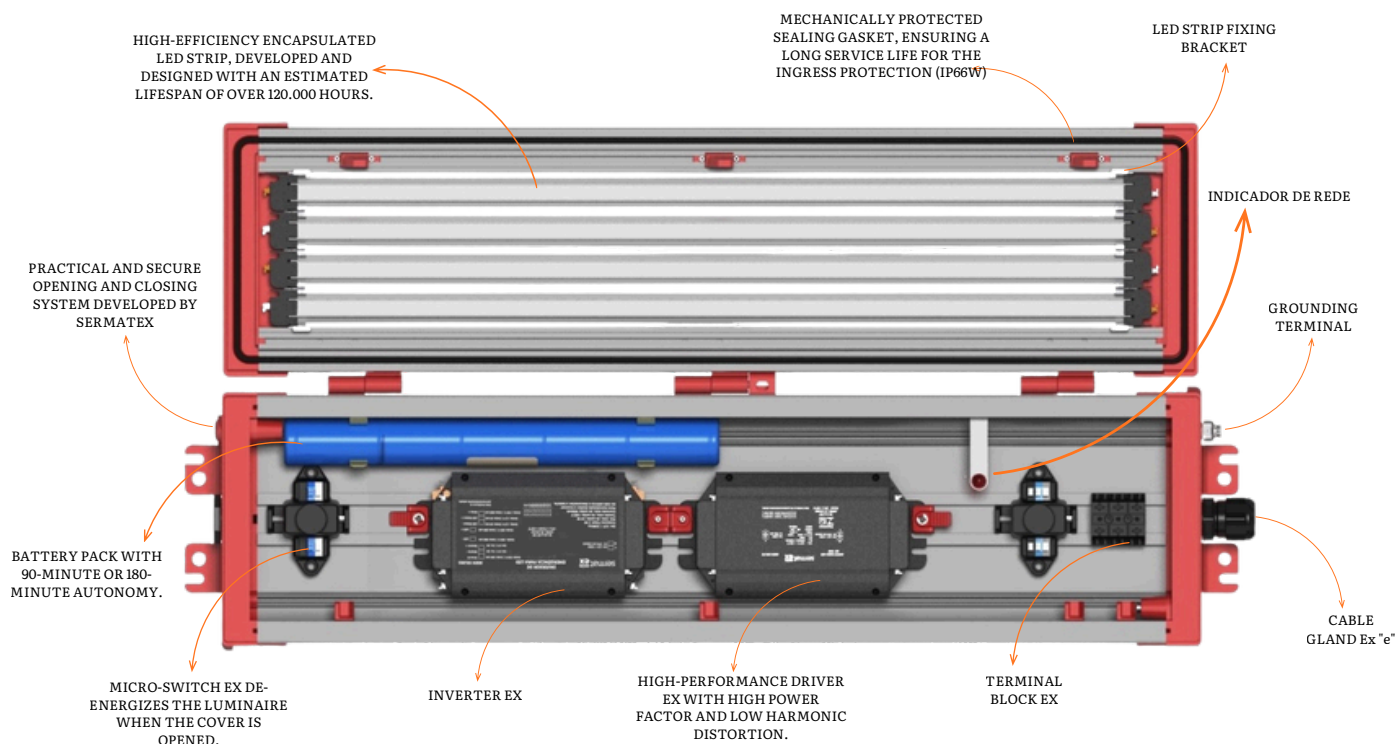
## Technical data



### HIGHLIGHTS (CONVENTIONAL)



### HIGHLIGHTS (EMERGENCY)

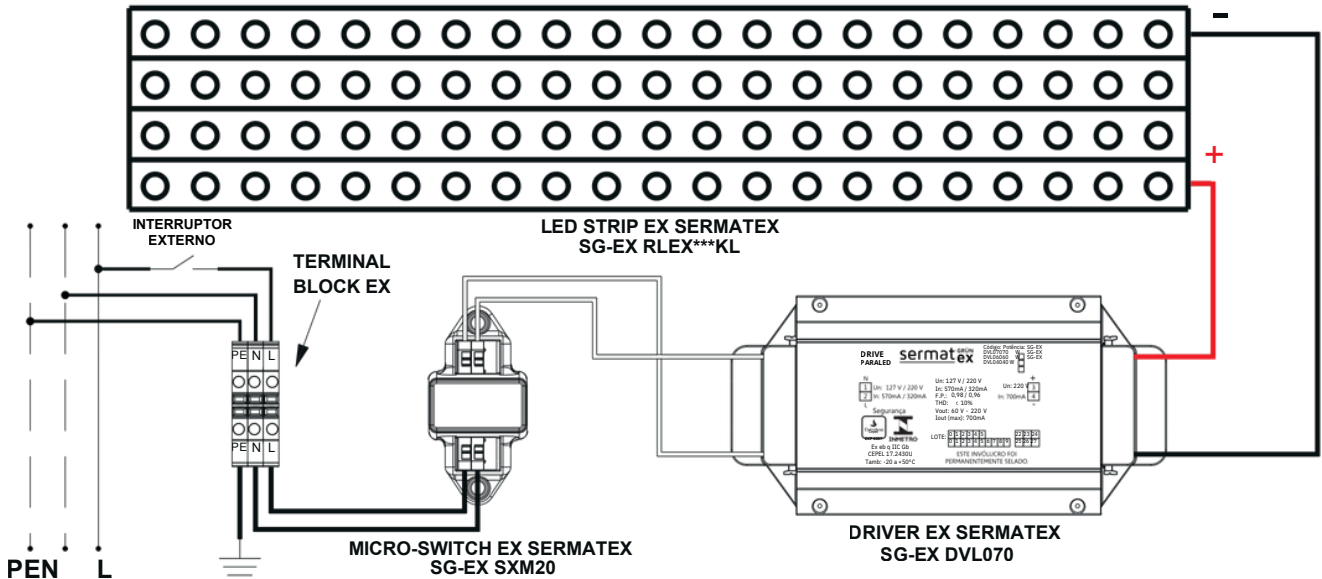


# LINEAR LED LUMINARIE EX - DMJ C / DMJ E

Technical data

## ELECTRICAL SCHEME

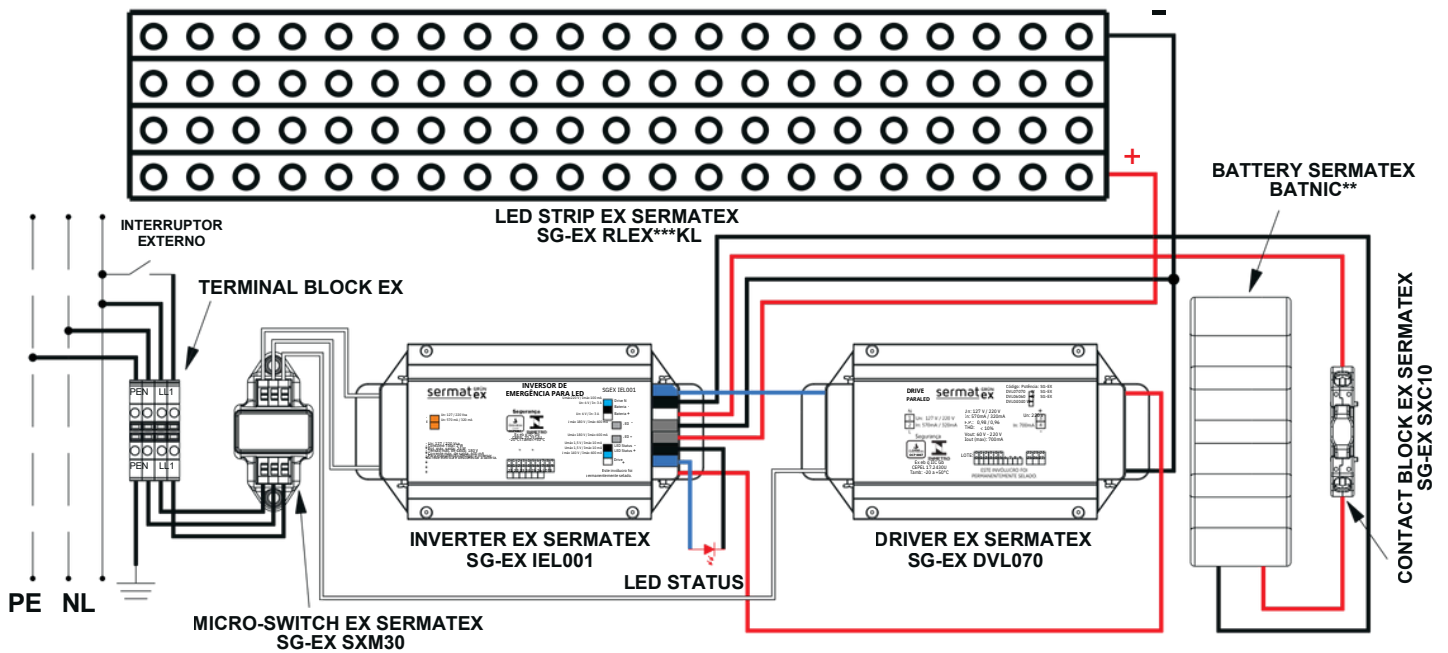
### CONVENTIONAL LUMINAIRE



INTERNAL CABLES	
CROSS SECTION	MAXIMUM CURRENT
0.5 mm <sup>2</sup>	16 A

LUMINAIRE TERMINALS		
MAXIMUM VOLTAGE	MAXIMUM CURRENT	CROSS SECTION
600 V	30 A	0.5 to 4 mm <sup>2</sup>

### EMERGENCY LUMINAIRE



INTERNAL CABLES	
CROSS SECTION	MAXIMUM CURRENT
0.5 mm <sup>2</sup>	16 A

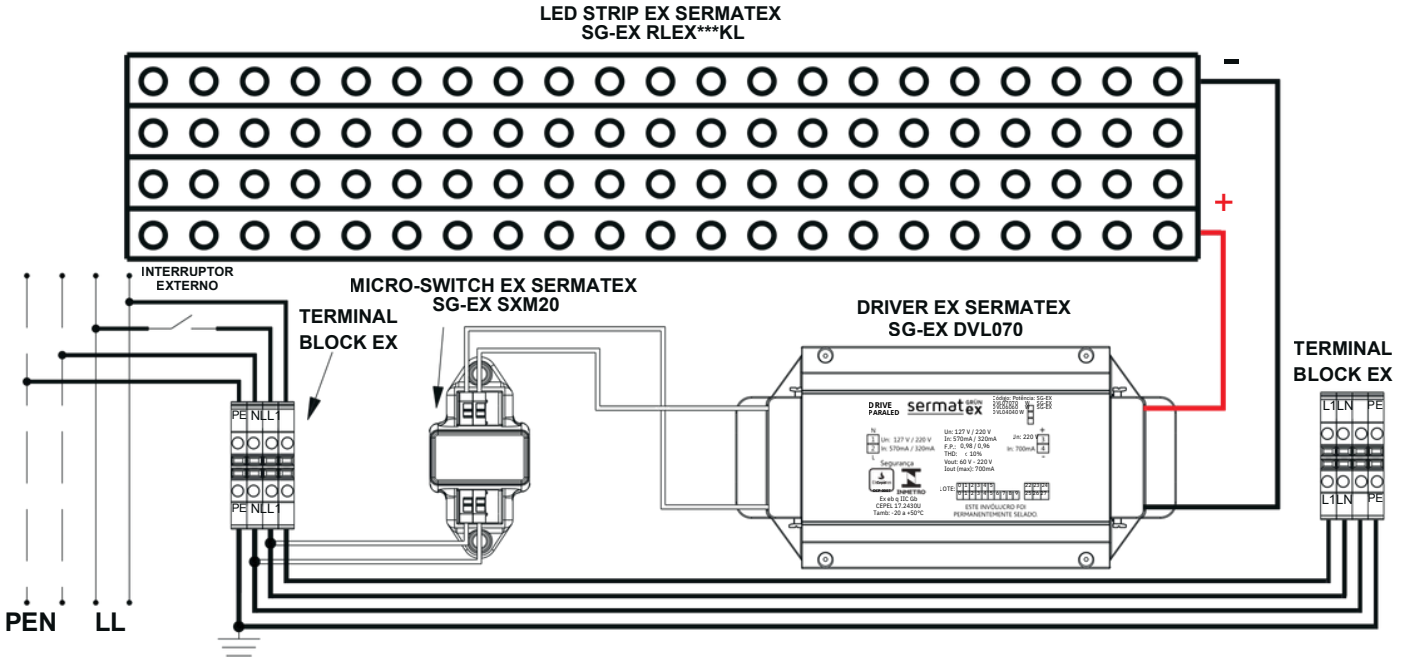
LUMINAIRE TERMINALS		
MAXIMUM VOLTAGE	MAXIMUM CURRENT	CROSS SECTION
600 V	30 A	0.5 to 4 mm <sup>2</sup>

# LINEAR LED LUMINAIRES EX - DMJ C / DMJ E

Technical data

## ELECTRICAL SCHEME

### CONVENTIONAL LUMINAIRE - THROUGH WIRE

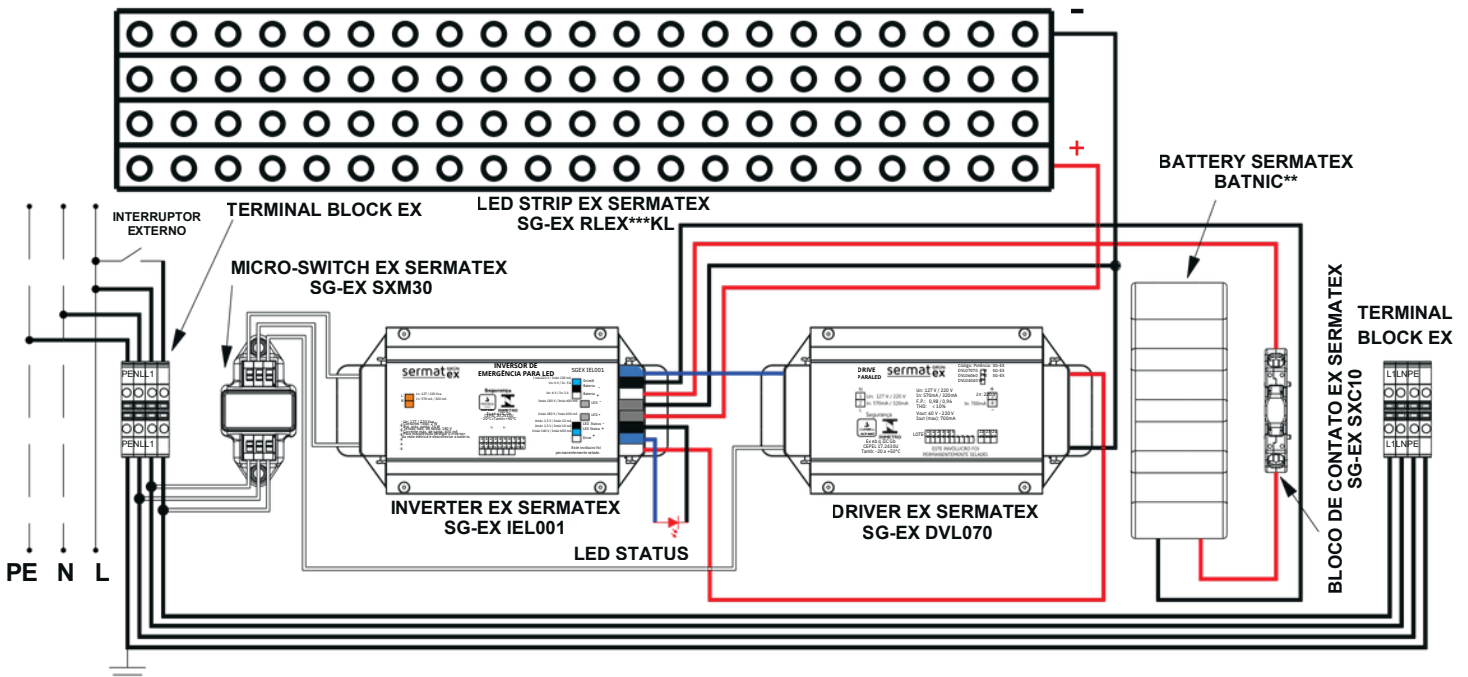


INTERNAL CABLES	
CROSS SECTION	MAXIMUM CURRENT
0,5 mm <sup>2</sup>	16 A

THROUGH-WIRE CABLES		
CROSS SECTION	MAXIMUM CURRENT	RESISTANCE
1,5 mm <sup>2</sup>	28 A	13,7 Ω/km

LUMINAIRE TERMINALS		
MAXIMUM VOLTAGE	MAXIMUM CURRENT	CROSS SECTION
600 V	30 A	0,5 to 4 mm <sup>2</sup>

### EMERGENCY LUMINAIRE - THROUGH WIRE



INTERNAL CABLES	
CROSS SECTION	MAXIMUM CURRENT
0,5 mm <sup>2</sup>	16 A

THROUGH-WIRE CABLES		
CROSS SECTION	MAXIMUM CURRENT	RESISTANCE
1,5 mm <sup>2</sup>	28 A	13,7 Ω/km

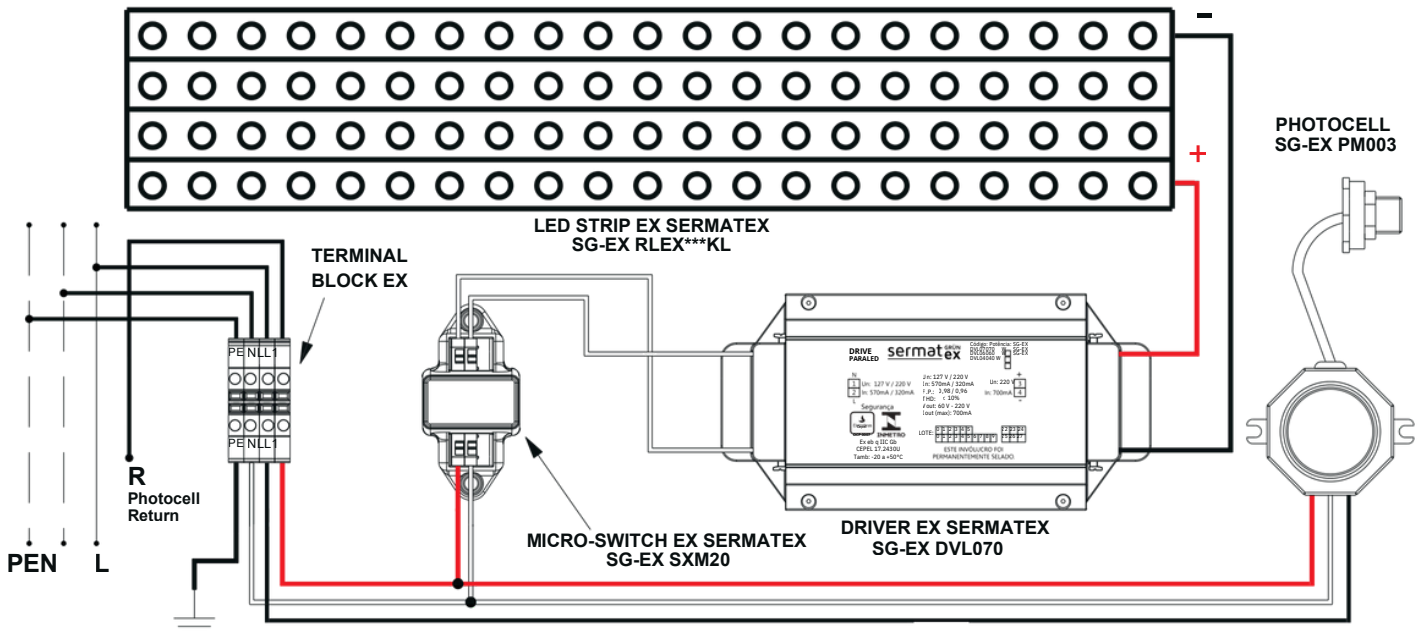
LUMINAIRE TERMINALS		
MAXIMUM VOLTAGE	MAXIMUM CURRENT	CROSS SECTION
600 V	30 A	0,5 to 4 mm <sup>2</sup>

# LINEAR LED LUMINARIES EX - DMJ C / DMJ E

## Technical data

### ELECTRICAL SCHEME

#### CONVENTIONAL LUMINAIRE WITH PHOTOELECTRIC RELAY



INTERNAL CABLES	
CROSS SECTION	MAXIMUM CURRENT
0.5 mm <sup>2</sup>	16 A

THROUGH-WIRE CABLES		
CROSS SECTION	MAXIMUM CURRENT	RESISTANCE
1.5 mm <sup>2</sup>	28 A	13.7 Ω/km

LUMINAIRE TERMINALS		
MAXIMUM VOLTAGE	MAXIMUM CURRENT	CROSS SECTION
600 V	30 A	0.5 to 4 mm <sup>2</sup>

# LINEAR LED LUMINAIRES EX - DMJ C / DMJ E

## Technical data

### REPLACEMENT PARTS

#### CONVENTIONAL LUMINAIRES



Code: SG-EX DVL070  
Description: Driver Ex 70 W



Code: SG-EX SXM20  
Description: Micro-Switch Ex 2 NA



Code: SG-EX PM003  
Description: Photocell Ex



Code: TDMJCP20 (20 W) / TDMJCM30 (30 W) / TDMJCM40 (40 W) / TDMJCG60 (60 W)  
Description: Conventional Luminaire Cover with LED Stripes Ex (20 W , 30 W, 40 W ou 60 W)

#### EMERGENCY LUMINAIRES



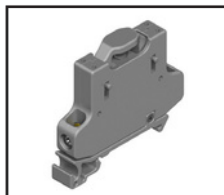
Code: SG-EX DVL070  
Description: Driver Ex 70 W



Code: SG-EX SXM30  
Description: Micro-Switch Ex 3 NA



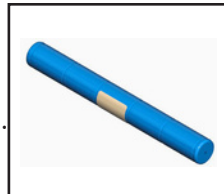
Code: SG-EX IEL001  
Description: Inverter Ex 70 W



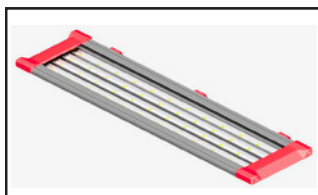
Code: SG-EX SXC10  
Description: Contact Block Ex 1 NA



Code: BATNIC02  
Description: Battery Pack Auton. 90 min.



Code: BATNIC03  
Description: Battery Pack Auton. 180 min.



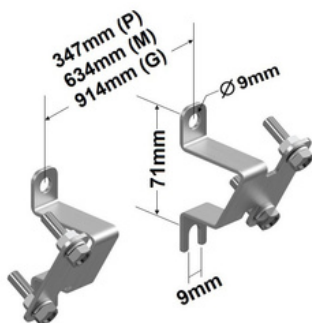
Code: TDMJEP20 (20W) / TDMJEM30 (30W) / TDMJEM40 (40W) / TDMJEG60 (60W)  
Description: Emergency Luminaire Cover with LED Stripes Ex (20 W, 30 W, 40 W ou 60 W)

# LINEAR LED LUMINARIES EX - DMJ C / DMJ E

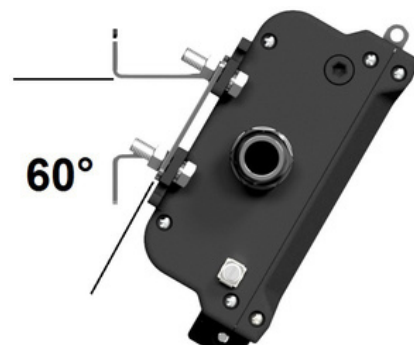
Technical data

## FIXATION BRACKET

### BRACKET FOR WALL FIXING



Code: SUPDMJCEFPA



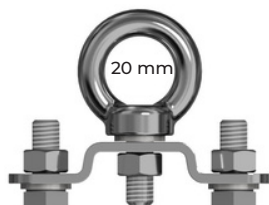
### RAIL BRACKET FOR CEILING FIXING



Code: SUPDMJCEFTT



### EYEBOLT BRACKET FOR CEILING FIXING



Code: SUPDMJCEFTO



### POLE BRACKET



Código: SUPDMJCEFPO

