


Control Stations Ex "eb" / Ex "tb" with Control and Signaling **E-LINE** SG-EX VMB1 and VMB4 zone 1, 2, 21, and 22



Construction and Design




THE VMB MODULAR ENCLOSURE WAS DESIGNED AND DEVELOPED TO ACCOMMODATE A WIDE RANGE OF ELECTRICAL CONFIGURATIONS, WITH THE OPTION TO COMBINE 2 TO 3 ENCLOSURES. THIS PRODUCT IS AN IDEAL SOLUTION FOR COMPLEX APPLICATIONS. AS A RESULT, IT OFFERS GREATER FLEXIBILITY IN SYSTEM CONFIGURATION, OPTIMIZING SPACE AND ENSURING HIGH PERFORMANCE IN INSTALLATIONS THAT REQUIRE MODULAR AND SCALABLE SOLUTIONS. THIS EQUIPMENT FEATURES A CAPTIVE STAINLESS STEEL SCREW AND A METAL HELICOIL, ENSURING SAFETY AND A LONGER SERVICE LIFE DURING HANDLING. IT ALSO FEATURES AN EXCLUSIVE HINGE THAT ENSURES EASE AND SPEED IN INSTALLATION AND MAINTENANCE. IT IS, THEREFORE, AN EFFECTIVE ALTERNATIVE FOR PROJECTS THAT REQUIRE VERSATILITY, RELIABILITY, AND EFFICIENCY.




THE VMB IS MADE FROM FLAME-RETARDANT MATERIALS.



THE VMB WAS DEVELOPED USING MATERIALS WITH HIGH MECHANICAL STRENGTH, MAKING IT IMPACT-RESISTANT AND IDEAL FOR HEAVY-DUTY APPLICATIONS.



THE VMB MATERIALS ALSO CONTAIN ADDITIVES FOR PROTECTION AGAINST ULTRAVIOLET RAYS, ENSURING SAFETY AND RELIABILITY IN OUTDOOR AND HOSTILE ENVIRONMENTS.



IN ACCORDANCE WITH IEC 60529, THE VMB HAS AN IP66 PROTECTION RATING, ENSURING PROPER PERFORMANCE EVEN IN ENVIRONMENTS EXPOSED TO CONTAMINANTS SUCH AS DUST AND LIQUIDS.

Control Stations Ex "eb" / Ex "tb"

VMB with Control and Signaling E-LINE



SPECIFICATIONS

TYPE OF PROTECTION	Ex "d" – explosion proof Ex "e" – increased safety Ex "m" – encapsulated Ex "t" – against dust ignition
MARKING	Assembly with E-Line: Ex db eb IIC T6 Gb IP66 Ex tb IIIC T 67°C Db IP66 When using GPL Flashing Light or GBZ Buzzer: Ex db eb mb IIC T6 Gb IP66 Ex tb IIIC T 67°C Db IP66
AREA OF APPLICATION	Zone 1 Zone 2 Zone 21 Zone 22
INGRESS PROTECTION	IP66
CLASSE DE TEMPERATURA	T6
AMBIENT TEMPERATURE	-40°C to +50°C
ENTRY/EXIT THROUGH CABLE GLAND	Até 3x M20x1.5, até 2x M25x1.5 ou 1x M32x1.5 na face inferior; 1x M20x1.5, 1x M25x1.5 ou 1x M32x1.5 na face superior; 1x M20x1.5, 1x M25x1.5 ou 1x M32x1.5 na lateral esquerda; Até 2x M20x1.5, até 2x M25x1.5 ou 1x M32x1.5 na lateral direita.
CABLE GLAND SPECIFICATIONS	M20X1,5 (7 - 13mm) M25X1,5 (10 - 17mm)

CERTIFICATE OF CONFORMITY:

Segurança



OCP 0034



INMETRO

Control Stations Ex "eb" / Ex "tb"

VMB with Command and Signalling E LINE



THE ITEMS WERE DESIGNED AND HAVE PERFORMANCE AND SAFETY IN ACCORDANCE WITH THE FOLLOWING STANDARDS:

NBR IEC 60079-0 (GENERAL REQUIREMENTS)

NBR IEC 60079-1 (EXPLOSION PROOF)

NBR IEC 60079-7 (INCREASED SAFETY)

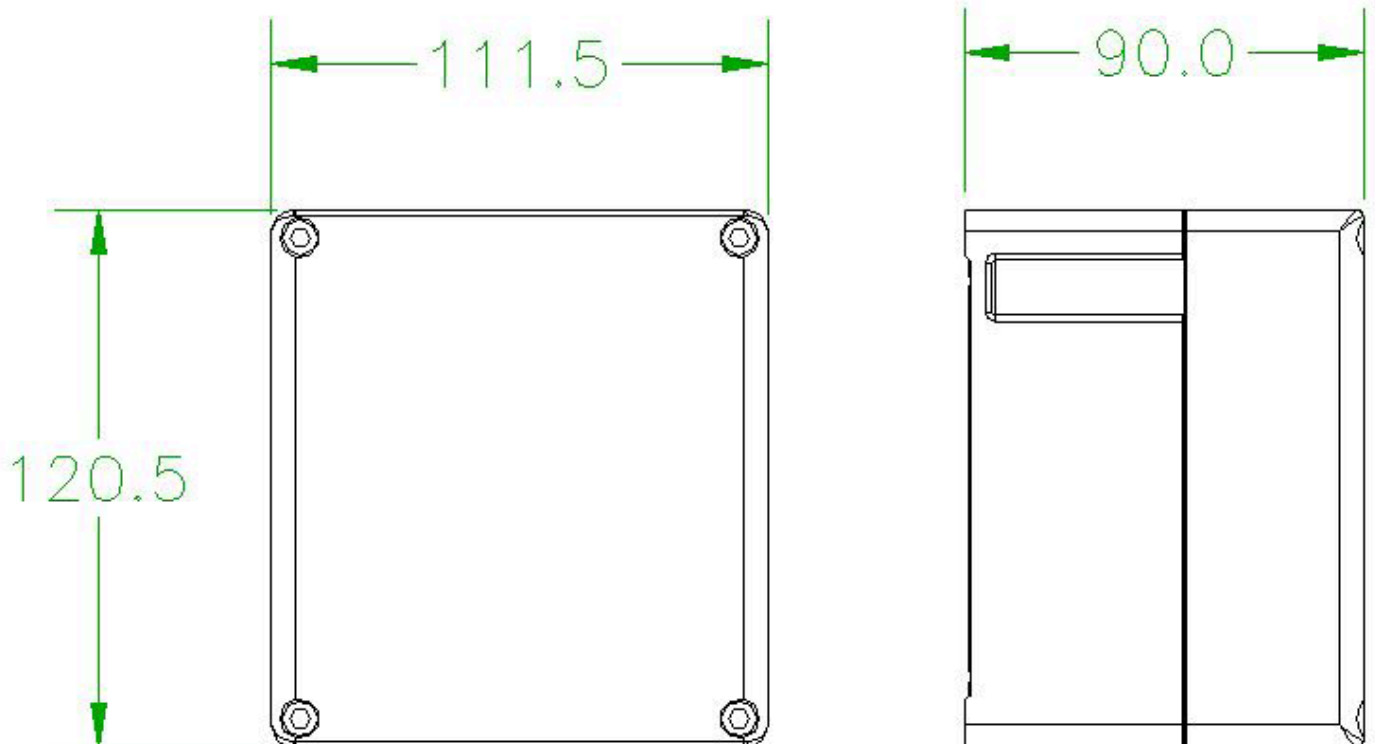
NBR IEC 60079-18 (ENCAPSULATION)

NBR IEC 60079-31 (DUST IGNITION PROTECTION)

NBR IEC 60529 (DEGREE OF PROTECTION)

NBR IEC 60947-5-1 (SWITCHING DEVICES AND ELEMENTS).

DIMENSIONS IN MM



Control Stations Ex "eb" / Ex "tb"

VMB with Command and Signalling E LINE

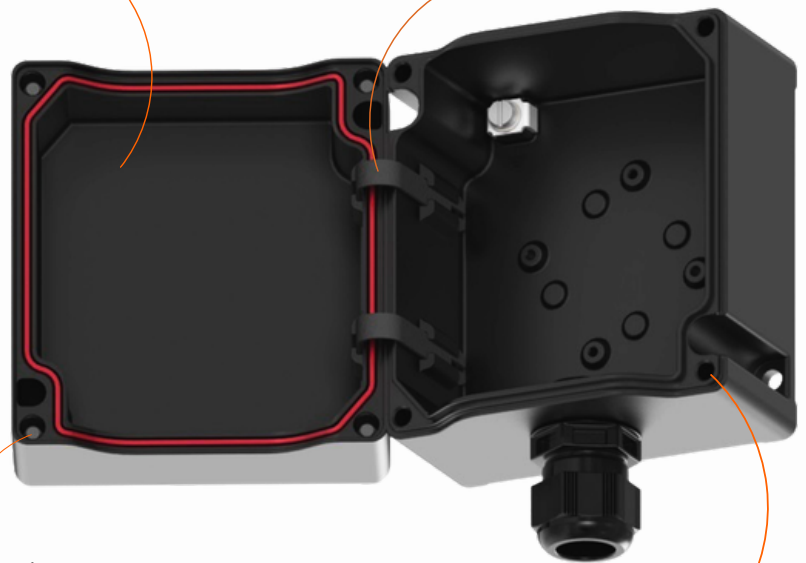


DISTINCTIVE TRAITS

Made of polyamide with fiberglass and additives

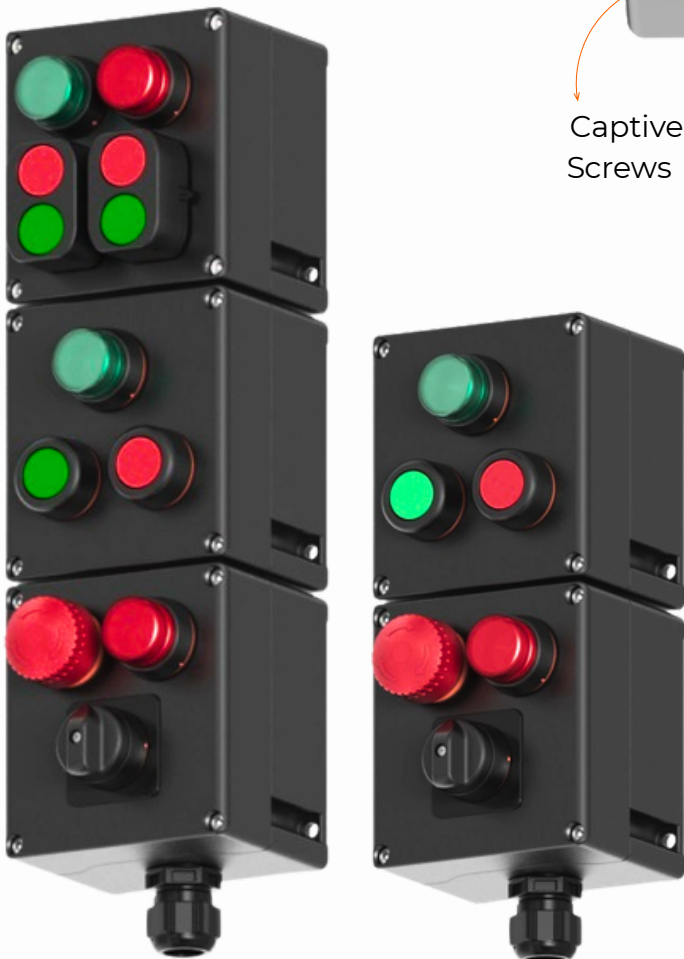
Control Station Ex "e" with a hinge, which facilitates installation and maintenance.

INTERNAL HINGES



Captive Screws

Stainless steel Helicoil



YOU CAN COMBINE UP TO 3 ENCLOSURES

Control Stations Ex "eb" / Ex "tb"

VMB 1 with Command and Signalling E LINE



Command and signaling line for use at the top of the Control Stations



EBEG



EBEMO



EBETR



EBI



EBD



EBEG



ESI



EBL



22GBZ

Control Stations Ex "tb"

VMB 4 with Command and Signalling E LINE



Command and signaling line for use at the top of the Control Stations



EBEGT



EBEMOT



EBETRT



EBIT



EBDT



EBEGT



ESIT



EBLT



22GBZT

Diversity in Codifications

VMB 1 with Command and Signalling E LINE



Examples of coding for the main models

BLACK ENCLOSURE WITH EBIVD + EXC11G + CABLE GLAND M25x1,5	VMB11A2X1001	
BLACK ENCLOSURE WITH ECAIN + EXC20G + CABLE GLAND M25x1,5	VMB11IBXX001	
BLACK ENCLOSURE WITH EBLVD + SXSVDCT103G + CABLE GLAND M25x1,5	VMB1102E1001	
BLACK ENCLOSURE WITH EBIVM + EXC11G + EBIVD + EXC11G + CABLE GLAND M25x1,5	VMB13A2X2A2X1001	
BLACK ENCLOSURE WITH ESIVD + EXC03G + EBIVD11G + EBIVM + EXC11G + CABLE GLAND M25x1,5	VMB14KXE1A2X1A2X2001	
BLACK ENCLOSURE WITH 4x EBDVDVM + EXC11G + CABLE GLAND M25x1,5	VMB18P2X8P2X8P2X8P2X8001	
RED ENCLOSURE WITH EBETR + EXC11G + YELLOW PLATE S2PE + CABLE GLAND M25x1,5	VMB11F2XX101	
RED FIRE ALARM ENCLOSURE WITH EBETR + EXC11G + CABLE GLAND M25x1,5	VMB11F2XX114	
RED ENCLOSURE WITH 22GLPLVM04PP + 22GBZX04 + CABLE GLAND M25x1,5	VMB13KXN2QXFX101	

Diversity in Codifications

VMB 4 with Command and Signalling E LINE



Examples of coding for the main models

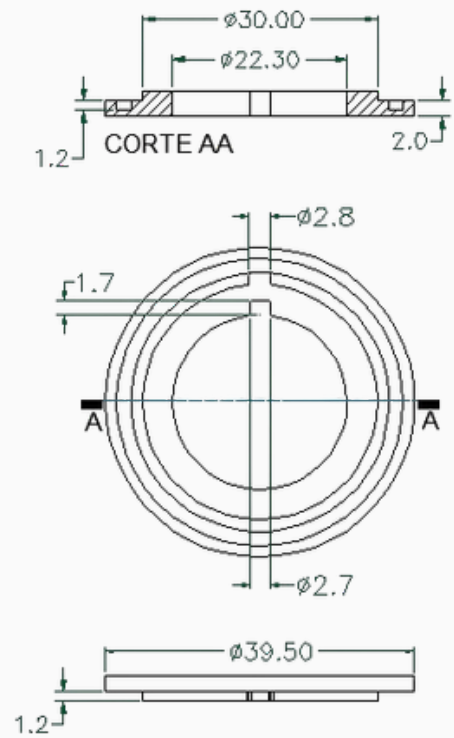
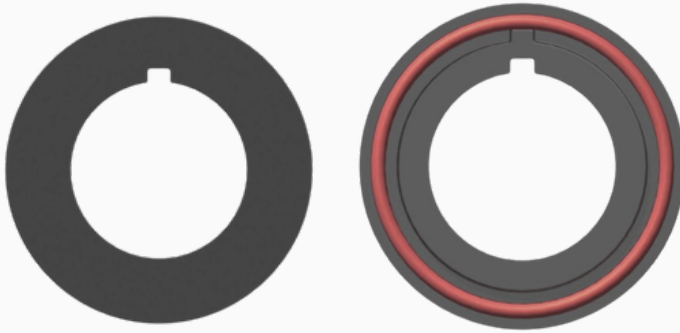
BLACK ENCLOSURE WITH EBIVDT + EXC11GT + CABLE GLAND M25x1,5	VMB41A2X1001	
BLACK ENCLOSURE WITH ECAINT + EXC20GT + CABLE GLAND M25x1,5	VMB41IBXX001	
BLACK ENCLOSURE WITH EBLVDT + SXSVD1103GT + CABLE GLAND M25x1,5	VMB4102E1001	
BLACK ENCLOSURE WITH EBIVMT + EXC11GT + EBIVDT + EXC11GT + CABLE GLAND M25x1,5	VMB43A2X2A2X1001	
BLACK ENCLOSURE WITH ESIVDT + EXC03GT + EBIVD11GT + EBIVMT + EXC11GT + CABLE GLAND M25x1,5	VMB44KXE1A2X1A2X2001	
BLACK ENCLOSURE WITH 4x EBDVDVMT + EXC11GT + CABLE GLAND M25x1,5	VMB48P2X8P2X8P2X8P2X8001	
RED ENCLOSURE WITH EBETRT + EXC11GT + YELLOW PLATE S2PE + CABLE GLAND M25x1,5	VMB11F2XX101	
RED FIRE ALARM ENCLOSURE WITH EBETRT + EXC11GT + CABLE GLAND M25x1,5	VMB41F2XX114	
RED ENCLOSURE WITH 22GLPLVM04PPT + 22GBZX04T + CABLE GLAND M25x1,5	VMB43KXN2QXFX101	


Accessories



Plastic hole reducer ring from
30mm to 22.5mm


CODE: ANELRF



 +55 11 3933-7100

 www.sermatex.com.br

 www.linkedin.com/in/sermatex

 Rua Coronel Tristão, 203 - Freguesia do Ó
São Paulo - SP - CEP 02925-030
Brasil