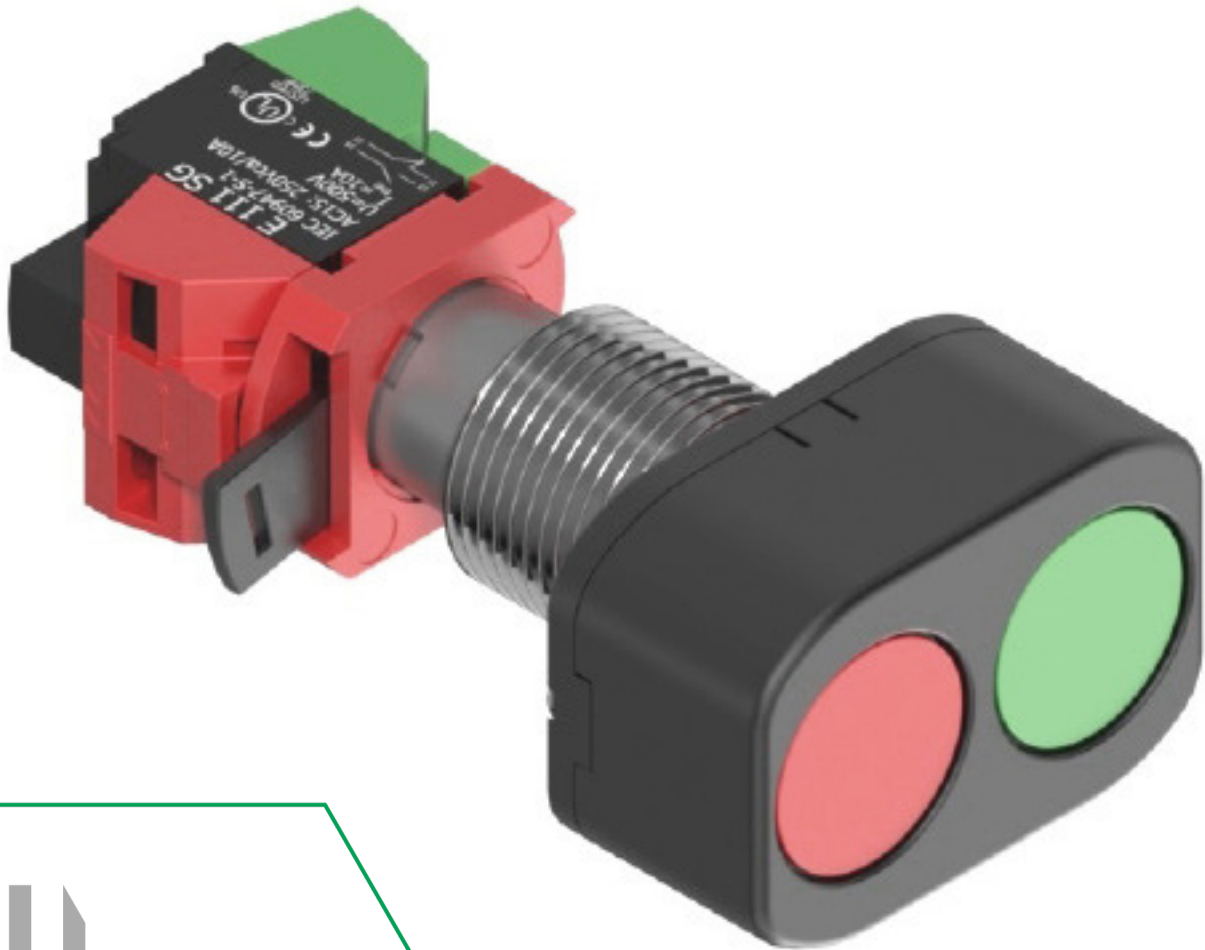


# DOUBLE PUSH BUTTON

BD



sermat **GRÜN**  
**ex**






REV.04 / 27.04.2026

p. 1 of 5

# DOUBLE PUSH BUTTON

## Technical Data

### TECHNICAL SPECIFICATION

<b>TYPE OF PROTECTION</b> .....	Ex "d" – Flameproof Ex "t" – Dust ignition protection	Explosion proof Dust ignition proof	Ex "d" – Flameproof Ex "t" – Dust ignition protection
<b>MARKING</b> .....	Ex db IIC Gb Ex tb IIIC Db	Class I, Groups B, C, D Class II, Groups E, F, G Class III	II 2 G Ex db IIC / IIB +H <sub>2</sub> Gb II 2 D Ex tb IIIC Db
<b>AREA OF APPLICATION</b> .....	Zone 1 Zone 2 Zone 21 Zone 22	Class I, Div 1 & 2, Groups B, C, D. Class II, Div 1 & 2, Groups E, F, G. Class III	Zone 1 Zone 2 Zone 21 Zone 22
<b>INGRESS PROTECTION</b> .....	IP66W (W: salt spray)	Type 4X	IP66
<b>TEMPERATURE RANGE</b> .....	-50°C to 60°C (-58°F to 158°F)	-50°C to 60°C (-58°F to 158°F)	-50°C to 100°C (-58°F to 212°F)
<b>THREAD SIZE</b> .....	M22 x 1,5 3/4" NPSM	M22 x 1,5 3/4" NPSM	M22 x 1,5 3/4" NPSM
<b>THREAD LENGTH</b> .....	25mm (Normal) 40mm (Long) 57mm (Extra Long)	25mm (Normal) 40mm (Long) 57mm (Extra Long)	25mm (Normal) 40mm (Long) 57mm (Extra Long)
<b>INSTALLATION</b> .....	<b>for M22x1,5 THREAD</b> in Ex "d" enclosures : (min. wall thickness : 8 mm engaged thread) in Ex "tb" enclosures : (min. wall thickness : 3 mm engaged thread) <b>for 3/4" NPSM THREAD</b> in Ex "d" enclosures : (min. 5 fully engaged threads) in Ex "tb" enclosures : (min. wall thickness : 3,7 mm engaged thread)	<b>for M22x1,5 THREAD</b> in Ex "d" enclosures : (min. 6 fully engaged threads) in Ex "tb" enclosures : (min. 3 fully engaged threads) <b>for 3/4" NPSM THREAD</b> in Ex "d" enclosures : (min. 7 fully engaged threads) in Ex "tb" enclosures : (min. 3 fully engaged threads)	<b>for M22x1,5 THREAD</b> in Ex "d" enclosures : (min. wall thickness : 8 mm engaged thread) in Ex "tb" enclosures : (min. wall thickness : 3 mm engaged thread) <b>for 3/4" NPSM THREAD</b> in Ex "d" enclosures : (min. 5 fully engaged threads) in Ex "tb" enclosures : (min. wall thickness : 3,7 mm engaged thread)
<b>CERTIFICATE OF COMPLIANCE</b> .....	<b>Segurança</b>  OCP 0034  <b>INMETRO</b>	 <b>UL</b>	  <b>ATEX I IECEx</b>
	<b>INMETRO</b> NCC 24.0128 U	<b>UL</b> UL: E489210	<b>ATEX I IECEx</b> UL 21 ATEX 2390U IECEx ULBR 21.0004U

# DOUBLE PUSH BUTTON

## Technical Data

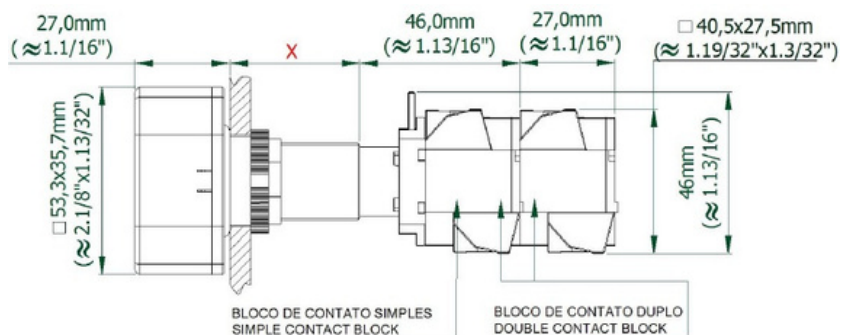
### ELECTRICAL INFORMATION

CONTACT BLOCKS INFORMATION		
RATED VOLTAGE	Ui 500V	
RATED CURRENT	Ith 10A	
CONTACTS FOR AC 15	VOLTAGE	CURRENT
	220V	10A
	380V	7,5A
	500V	5A
CONTACTS FOR DC 13	VOLTAGE	CURRENT
	24V	2,75A
	60V	1,10A
	110V	0,55A
	220V	0,27A

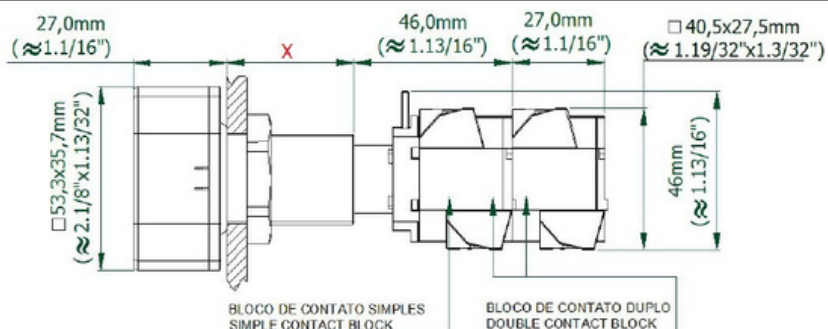
### DIMENSIONS

X	
mm	inch
25mm	≈ 1"
40mm	≈ 1.19/32"
57mm	≈ 2.1/4"

#### M22 X 1,5



#### 3/4"NPSM



# DOUBLE PUSH BUTTON

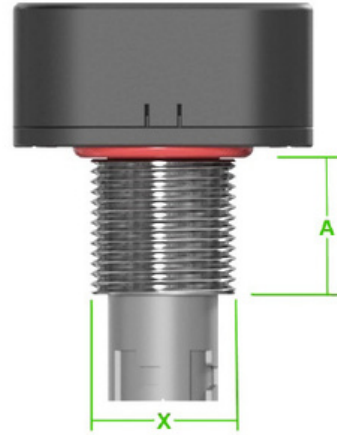
Ordering Code

## ORDERING CODE

SGEXXBD **A** + **B1** + **B2** + **C**

X THREAD SIZE		
size	M22x 1,5	3/4"NPSM
code	22	26

A THREAD LENGTH			
length	25mm	40mm	57mm
code	N	L	X



B1 COLOR						
color	Blue	Yellow	Red	Green	White	Black
code	AZ	AM	VM	VD	BR	PR

B2 COLOR						
color	Blue	Yellow	Red	Green	White	Black
code	AZ	AM	VM	VD	BR	PR

C CONTACT BLOCKS			
	NONC	2NO	2NC
code	11	20	02

## SPECIAL CONTACT BLOCK









### DOUBLE CONTACT BLOCKS

	1NO3NC	4NC	4NO	3NO1NC	2NO2NC
code	13	04	40	31	22

# DOUBLE PUSH BUTTON

## Codification Examples & Accessories

### CODIFICATION EXAMPLES

 SGEX26BD	+	3/4NPSM LENGTH 25MM L	+	 VD	+	 VM	+	 11	=	SGEX26BDLVDVM11
 SGEX22BD	+	M22X1,5 LENGTH 25MM N	+	 PR	+	 PR	+	 20	=	SGEX22BDNPRPR20

### ACCESSORIES

**LOCK FOR PRESSED POSITION** (for 3/4 NPSM or M22x1,5 thread)



CODE TRAVABD

The **TRAVABD** allows the button to be locked in the pressed position.



### DIMENSIONS (mm)

