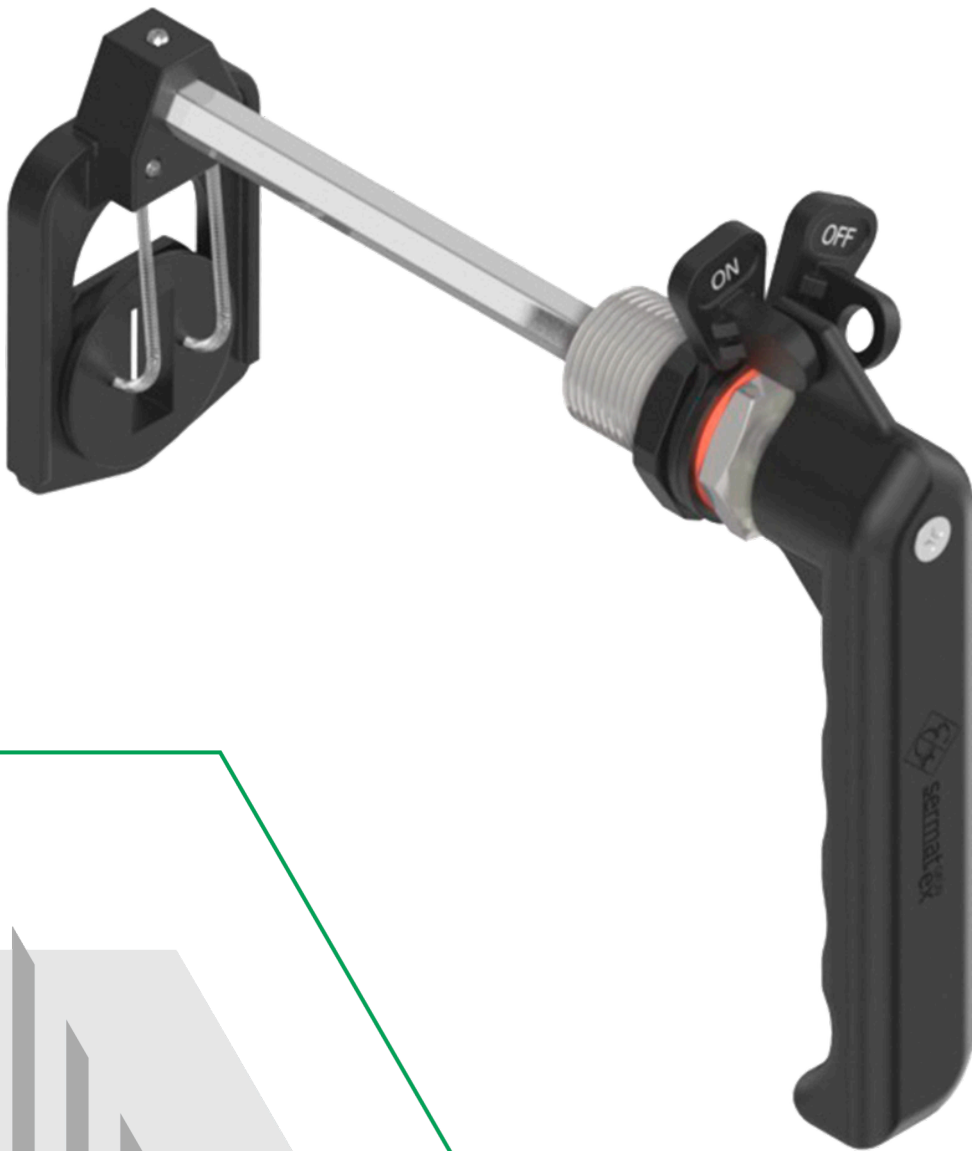


# CIRCUIT BREAKER ACTUATOR

ADJUSTABLE

ADA2








sermat **GRÜN**  
ex

REV.26 / 27.04.2026

# CIRCUIT BREAKER ACTUATOR - ADJUSTABLE

## Technical Data

### TECHNICAL SPECIFICATION

TYPE OF PROTECTION .....	Ex "d" – Flameproof Ex "t" – Dust ignition protection	Explosion proof Dust ignition proof	Ex "d" – Flameproof Ex "t" – Dust ignition protection
MARKING .....	Ex db IIC Gb Ex tb IIIC Db	Class I, Groups B, C, D Class II, Groups E, F, G Class III	II 2 G Ex db IIC / IIB +H <sub>2</sub> Gb II 2 D Ex tb IIIC Db
AREA OF APPLICATION .....	Zone 1 Zone 2 Zone 21 Zone 22	Class I, Div 1 & 2, Groups B, C, D. Class II, Div 1 & 2, Groups E, F, G. Class III	Zone 1 Zone 2 Zone 21 Zone 22
INGRESS PROTECTION .....	IP66W (W: salt spray)	Type 4X	IP66
TEMPERATURE RANGE .....	-50°C to 60°C (-40°F to 158°F)	-50°C to 60°C (-40°F to 158°F)	-50°C to 100°C (-40°F to 212°F)
THREAD SIZE .....	M22 x 1,5 3/4" NPSM	M22 x 1,5 3/4" NPSM	M22 x 1,5 3/4" NPSM
THREAD LENGTH .....	25mm (Normal) 40mm (Long)	25mm (Normal) 40mm (Long)	25mm (Normal) 40mm (Long)
INSTALLATION .....	<b>for M22x1,5 THREAD</b> in Ex "d"enclosures : (min. wall thickness : 8 mm engaged thread) in Ex "tb" enclosures : (min. wall thickness : 3 mm engaged thread)	<b>for M22x1,5 THREAD</b> in Ex "d"enclosures : (min. 6 fully engaged threads) in Ex "tb" enclosures : (min. 3 fully engaged threads)	<b>for M22x1,5 THREAD</b> in Ex "d"enclosures : (min. wall thickness : 8 mm engaged thread) in Ex "tb" enclosures : (min. wall thickness : 3 mm engaged thread)t
	<b>for 3/4"NPSM THREAD</b> in Ex "d"enclosures : (min. 5 fully engaged threads) in Ex "tb" enclosures : (min. wall thickness : 3,7 mm engaged thread)	<b>for 3/4"NPSM THREAD</b> in Ex "d"enclosures : (min. 7 fully engaged threads) in Ex "tb" enclosures : (min. 3 fully engaged threads)	<b>for 3/4"NPSM THREAD</b> in Ex "d"enclosures : (min. 5 fully engaged threads) in Ex "tb" enclosures : (min. wall thickness : 3,7 mm engaged thread)
CERTIFICATE OF COMPLIANCE .....	<b>Segurança</b>  OCP 0034  <b>INMETRO</b>	 <b>UL</b>	  <b>ATEX I IECEx</b>
	<b>INMETRO</b> NCC 24.0128 U	<b>UL</b> UL: E489210	<b>ATEX I IECEx</b> UL 21 ATEX 2390U IECEx ULBR 21.0004U

### APPLICATION

Ideal for use with **molded-case circuit breakers** in explosion-proof enclosures

Easily adjustable by positioning the fork on the stainless steel rod. Spring-return to the "Off" position.

# CIRCUIT BREAKER ACTUATOR - ADJUSTABLE

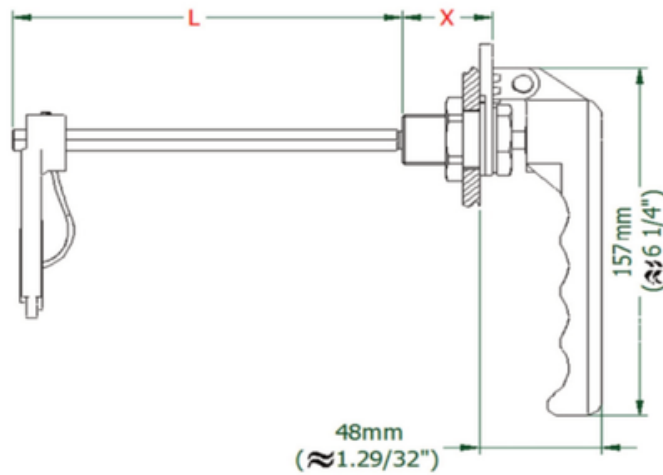
## Technical Data

### DIMENSIONS

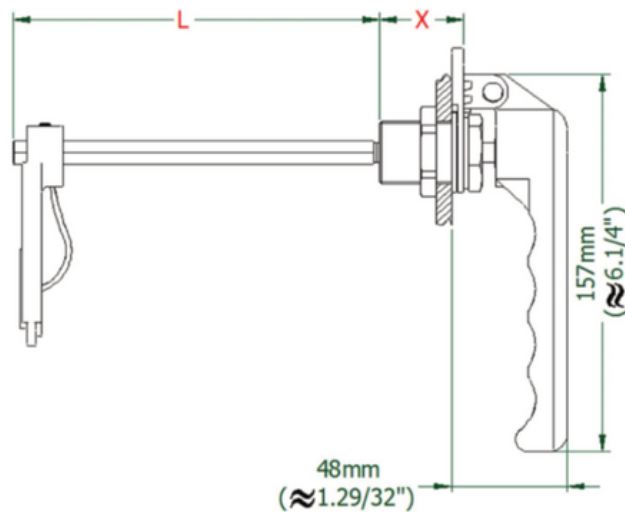
L	
mm	inch
150mm	≈ 5.29/32"
200mm	≈ 7.7/8"

X	
mm	inch
35mm	≈ 1.3/8"
50mm	≈ 1.31/32"

M22 X 1,5



3/4" NPSM



# CIRCUIT BREAKER ACTUATOR - ADJUSTABLE


Ordering Code

## ORDERING CODE


SGEXXADA2 **A + B + C + D + E**


X	THREAD SIZE	
	size	M22x 1,5
code	22	26

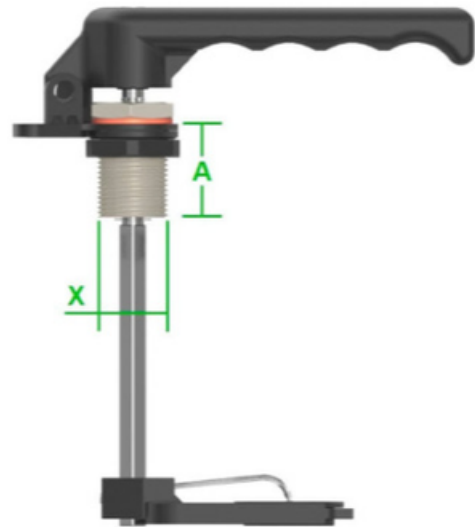
A	THREAD LENGTH	
	length	35mm
code	N	L

B	AUTOMATIC RETURN	
		
	CLOCKWISE	COUNTERCLOCKWISE
code	H	A

C	FORK MODEL			
				
	SLIDER Ø22mm	SLIDER 15x26mm	SLIDER 12x26mm	SLIDER 10x26mm
code	22D	15G	12G	10G

D	STAINLESS STEEL ROD LENGHT	
		
		L
	code	size
	150	150mm
	200	200mm

E	EXTERNAL LIMITER FOR PADLOCK	
		
	LIGA/DESLIGA	ON/OFF
code	B1	B2



# CIRCUIT BREAKER

## ACTUATOR - ADJUSTABLE

### Codification Examples

#### CODIFICATION EXAMPLES

 SGEX26ADA2	+	3/4NPSM LENGTH 25MM N	+	 H	+	 SLIDER Ø22mm 22D	+	 L=150 150	+	 ON/OFF B2
=										
SGEX26ADA2NH22D150B2										

 SGEX22ADA2	+	M22X1,5 LENGTH 25MM N	+	 A	+	 SLIDER 10x26mm 10G	+	 L=200 200	+	 ON/OFF B2
=										
SGEX22ADA2NA10G200B2										