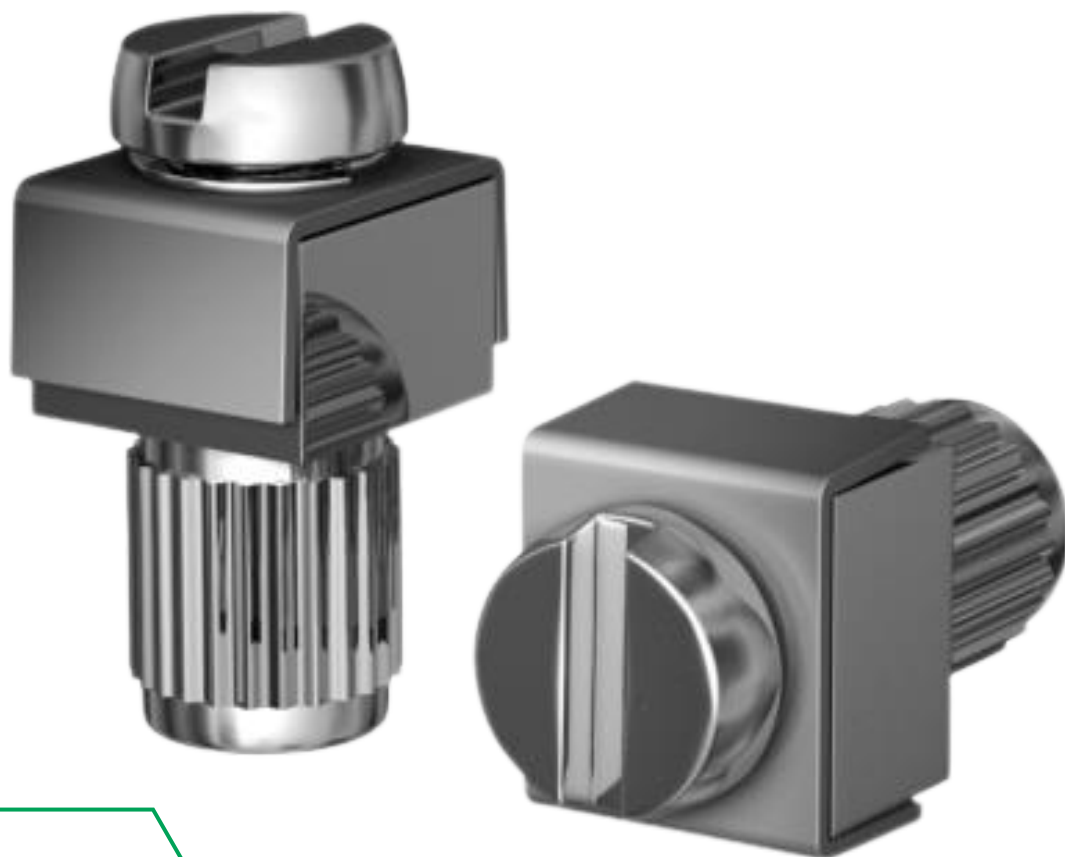


GROUNDING TERMINAL 6

TT6



GROUNDING TERMINAL 6

Dados Técnicos

TECHNICAL SPECIFICATIO

APPLICATION	Grounding terminal for general-purpose metal electrical equipment and specifically designed for use on thick walls of Ex d & Ex e equipment.
CONNECTION	Up to 6 mm ²
DESCRIPTION	Ground terminal made of stainless steel and nickel-plated brass, for metal enclosures, equipped with a screw and lock washer, which ensures a secure fastening resistant to vibrations or mechanical shocks.

DIMENSIONS(MM):

