

ESCAPE ROUTE LUMINAIRE

DMJ R



sermat **GRÜN**
ex

REV.10 / 28.04.2026

ESCAPE ROUTE LUMINAIRE - DMJ R

Technical data

SPECIFICATIONS

TYPE OF PROTECTION	Ex "e" - increased security Ex "m" - encapsulated Ex "q" - immersed in sand Ex "op is" - inherently safe optic radiation Ex "t" - dust ignition protection
MARKING	Ex eb mb q op is IIC T6 Gb Ex tb op is IIIC T77°C Db
AREA OF APPLICATION	Zone 1 Zone 2 Zone 21 Zone 22
INGRESS PROTECTION	IP66W (W: Salt Spray)
OPERATING TEMPERATURE (ENVIRONMENT)	40°C to +50°C (-40°F to 122°F)
CABLES ENTRY/EXIT	4 cable entries/exits, equipped with 1 to 4 M20x1.5 or M25x1.5 cable glands. M25x1.5 cable gland for cables with a diameter of 10 mm to 17 mm. M20x1.5 cable gland for cables with Ø 7 mm to Ø 13 mm.
OPERATING VOLTAGE RANGE	108 / 254 Vac/cc 50 / 60 Hz
CURRENT	max. 570 mA
POWER	7.5 W
LAMP	LED
AUTONOMY TIME (EMERGENCY)	90 min or 180 min
CRI	80
VIBRATION RESISTANCE	According to ABNT NBR IEC 60598-1
WEIGHT	5,2 kg
SIZE	P: 373 mm

CERTIFICATIONS

Segurança



OCP 0034



INMETRO

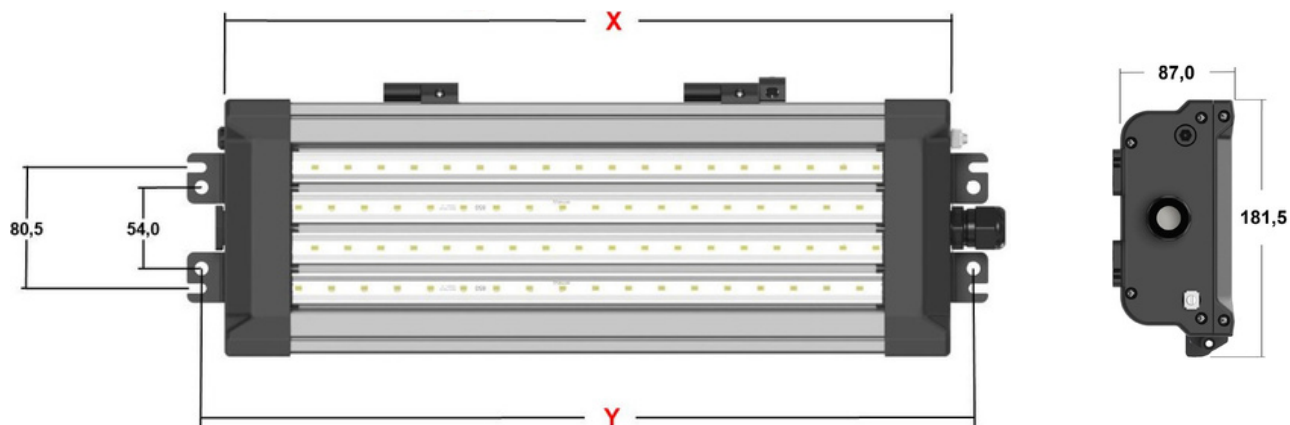
INMETRO

NCC 24.0139 X

ESCAPE ROUTE LUMINAIRE - DMJ R

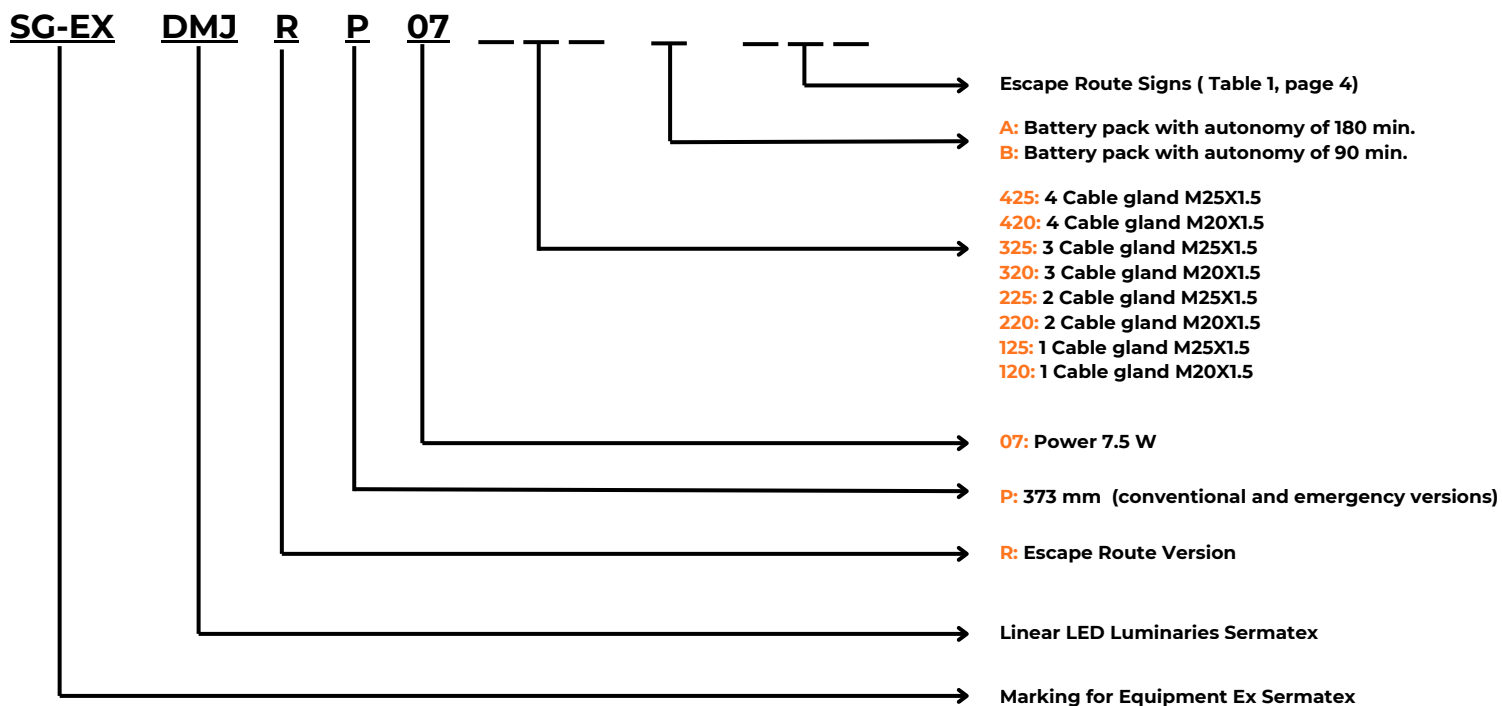
Technical data

DIMENSIONS (MM)



X	Y
373 mm	403 mm

ORDERING CODE
















NOTE:
Cable gland M25X1.5 for cables with \varnothing 10 to \varnothing 17 mm.
Cable gland M20X1.5 for cables with \varnothing 7 to \varnothing 13 mm.

ESCAPE ROUTE LUMINAIRE - DMJ R

Technical data

TABLE 1 FOR CODING

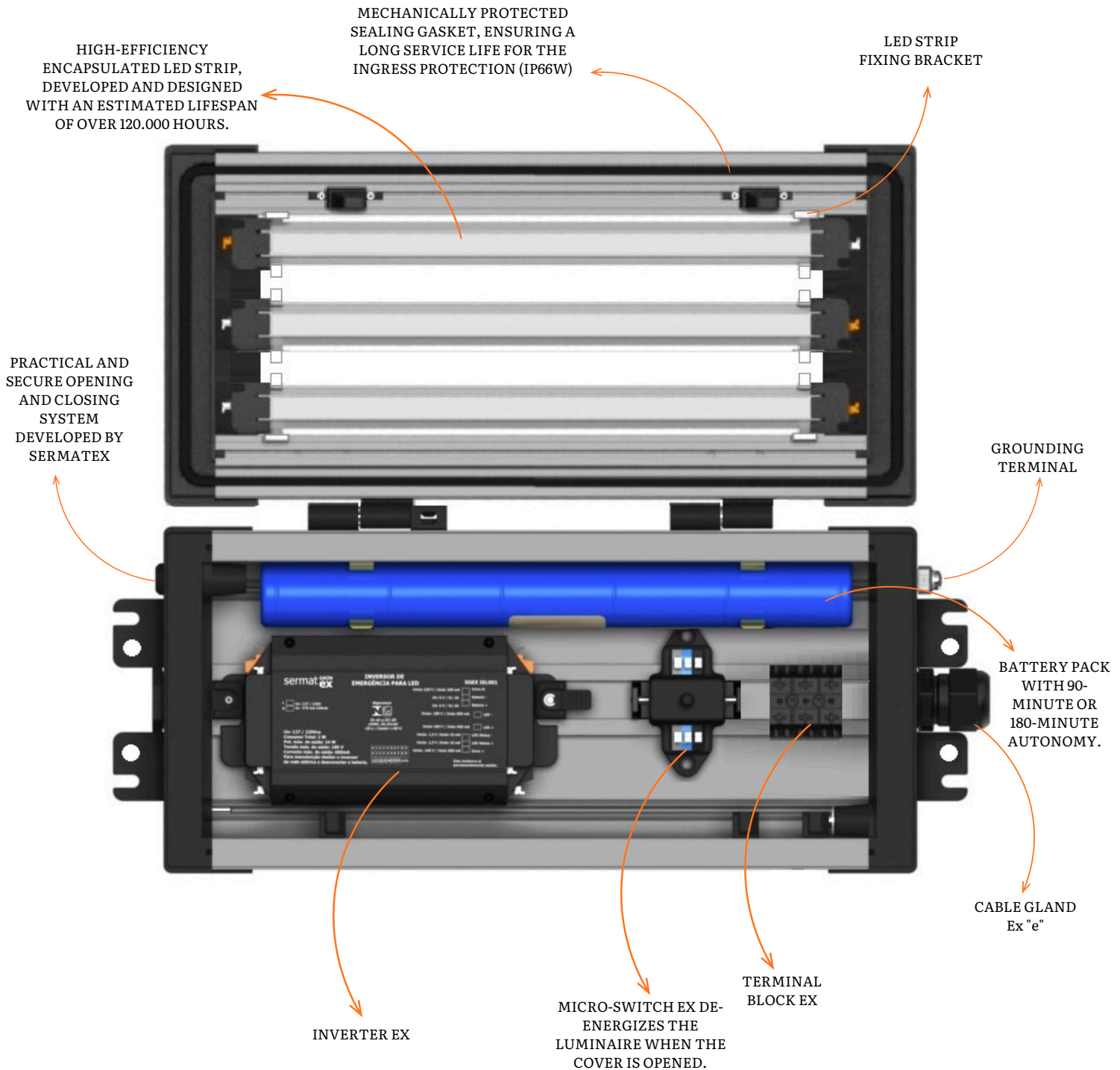
TABLE 1

S00		S08	
S01		S09	
S02		S10	
S03		S11	
S04		S12	
S05			
S06			
S07			

ESCAPE ROUTE LUMINAIRE - DMJ R

Technical data

HIGHLIGHTS



ESCAPE ROUTE LUMINAIRE - DMJ R

Technical data

REPLACEMENT PARTS



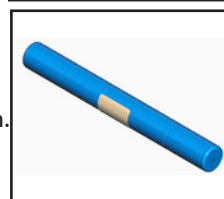
Code: SG-EX IEL001
Description: Inverter Ex 70 W



Code: SG-EX SXM30
Description: Micro-Switch Ex 3 NA



Code: BATNIC02
Description: Battery Pack Auton. 90 min.



Code: BATNIC03
Description: Battery Pack Auton. 180 min.



Code: PSDMJRPS_ _
Description: Escape Route Signaling Plate (S00 to S12 according to Table 1)



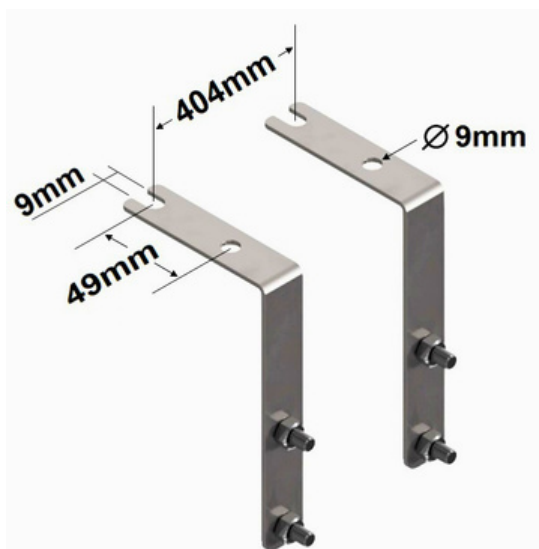
Code: TDMJRP07
Description: Escape Route Luminaire Cover with 7.5 W LED Strip Ex

ESCAPE ROUTE LUMINAIRE - DMJ R

Technical data

FIXATION BRACKET

BRACKET FOR CEILING FIXING



Code: SUPDMJRFFTE

